

gl-gL-gG, aM

NH DIMENSION KNIFE-BLADE FUSE-LINKS



NH DIMENSION KNIFE-BLADE FUSE-LINKS, FUSE BASES, AND ACCESSORIES

Ferraz Shawmut NH Fuse-links, sizes 00, 0, 1, 2, 3 and 4 are rated 500 or 690 Volts AC with breaking capacities of 80kA or 120kA. All fuse-links include an indicator or striker and can accept a microswitch for remote signaling. They all have silver-plated knife blades and ceramic bodies. Accessories include 1, 2, 3 or 4-pole bases, barriers, shields, terminals, microswitch, etc.

Ferraz Shawmut Circuit Protection Group is also comprised of Lindner GmbH, a major supplier of NH fuses. These fuses are now being sold to markets worldwide through the Ferraz Shawmut distribution network. For Lindner information please contact your local representative.

Standards

- DIN 57636
- NFC 63210-63211
- CEI 269-1-2-2A
- UNE 21103
- VDE 0636-2-1, 2-2
- DIN 43620

Approvals

- Lloyd's Register of Shipping Bureau Veritas



gl-gL-gG

FULL RANGE PROTECTION

- Sizes 00, 0, 1, 2, 3, 4
- 500 and 690 Volt ratings - 4A through 1250A
- All ratings include indicator
- All equipped for microswitch mounting

gl-gL-gG

FULL RANGE PROTECTION

Fuse-link with Striker

- Sizes 0, 1, 2, 3
- 500 and 690 Volt ratings - 32A through 630A
- All ratings include striker

aM

SHORT CIRCUIT PROTECTION

- Sizes 00, 0, 1, 2, 3
- 500 and 690 Volt ratings - 10A through 630A
- All ratings include indicator
- All equipped for microswitch mounting

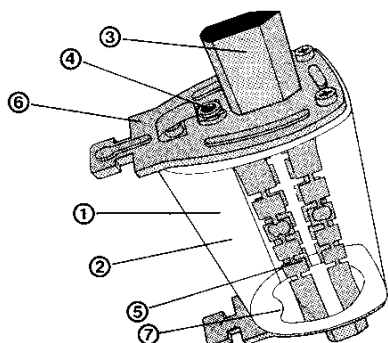
aM

SHORT CIRCUIT PROTECTION

Fuse-link with Striker

- Sizes 0, 1, 2, 3
- 500 and 690 Volt ratings - 32A through 630A
- All ratings include striker
- Certification
 - DIN 57636
 - VDE 60269
 - NFC 63210, 63211
 - IEC 269-1, 2, 2A
 - UNE 21103
- Approved by Lloyds Register of Shipping and Bureau Veritas

- 1 Ceramic body
- 2 Quartz sand
- 3 Knife contact
- 4 Indicator
- 5 Melting element
- 6 End plate
- 7 Insulating joint



gl-gL-gG

NH DIMENSION KNIFE-BLADE FUSE-LINKS

Catalog Numbers, Ratings – gl-gL-gG



30063-G



30169-G



30259-G



30469-G



30571-G



30679-G

SIZE	RATED In CURRENT (A)	RATED VOLTAGE	CATALOG NUMBER	INTERRUPTING RATING (A)	STANDARD PACK					
00	C-00	690V	30019-G	80,000	3					
			30023-G							
			30027-G							
			30031-G							
			30033-G							
			30035-G							
			30037-G							
			30039-G							
			30043-G							
			30045-G							
			30047-G							
			30051-G							
			30055-G							
			30059-G							
30063-G										
00		500V	30165-G	120,000						
			30169-G							
0	C-0	690V	30223-G	80,000	3					
			30231-G							
			30235-G							
			30237-G							
			30239-G							
			30243-G							
			30245-G							
			30247-G							
			30251-G							
			30255-G							
			30259-G							
			30263-G							
			0				500V	30365-G	120,000	
								30369-G		
OS		690V	30465-G	80,000						
			30469-G							
		500V	30471-G	120,000						
			30473-G							
30475-G										
1		690V	30535-G	80,000	3					
			30537-G							
			30539-G							
			30543-G							
			30545-G							
			30547-G							
			30551-G							
			30555-G							
			30559-G							
			30563-G							
			30565-G							
			30569-G							
			30571-G							
			1				500V	30573-G	120,000	
30575-G										
30579-G										
30581-G										

Table continued on next page.

gI-gL-gG

NH DIMENSION KNIFE-BLADE FUSE-LINKS

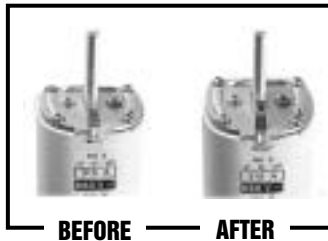
Catalog Numbers, Ratings – gI-gL-gG (cont.)



30679-G

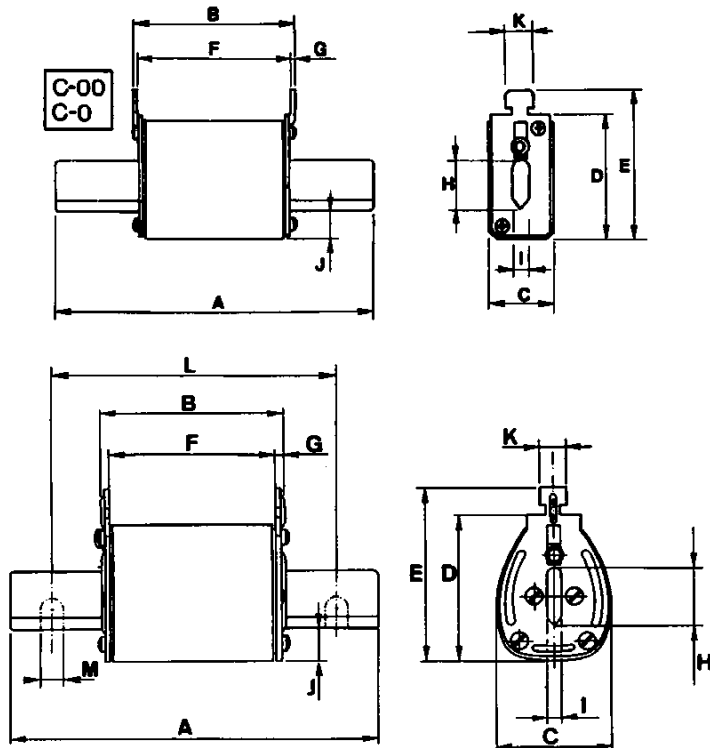
30787-G

Indicator



BEFORE AFTER

SIZE	RATED In CURRENT (A)	RATED VOLTAGE	CATALOG NUMBER	INTERRUPTING RATING (A)	STANDARD PACK
2	32	690V	30643-G	80,000	3
	35		30645-G		
	40		30647-G		
	50		30651-G		
	63		30655-G		
	80		30659-G		
	100		30663-G		
	125		30665-G		
	160		30669-G		
	200		30671-G		
	224		30673-G		
	250		30675-G		
	315		30679-G		
			355		
400		30683-G			
425		30685-G			
500		30687-G			
3	315	690V	30779-G	80,000	3
	355		30781-G		
	400		30783-G		
	425		30785-G		
	500		30787-G		
			630		
800		30791-G			
4	800	500V	30891-G	120,000	1
	1000		30893-G		
	1250		30895-G		



Dimensions

	00		0			1	2	3	4
	C-00	00	C-0	0	O-S				
A	78	78	125	124.5	124.5	134	150	150	200
B	48	50	66.7	67	66	67	67	67	67
C	21	28	21	28	39	40	56	69	90
D	42	44	42	44	49	55	62.5	76	107
E	52	54	52	54	59	65	72.5	86	117
F	45	44	63.5	61	61	61	61	61	62
G	1.5	3	1.6	3	3	3	3	3	3
H	15	15	15	15	15	20	26	32	65
I	6	6	6	6	6	6	6	6	8
J	7	8.5	7	8.5	14	14	15	16	21
K	10	10	10	10	10	10	10	10	10
L	-	-	-	-	-	-	-	-	150
M	-	-	-	-	-	-	-	-	14

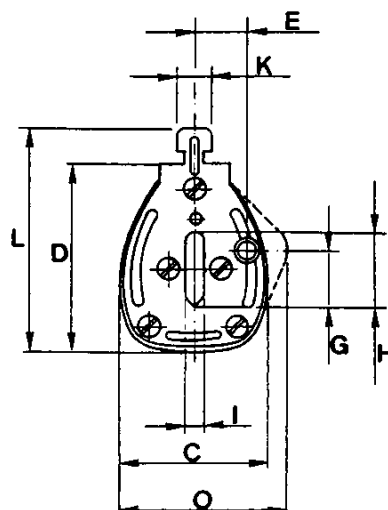
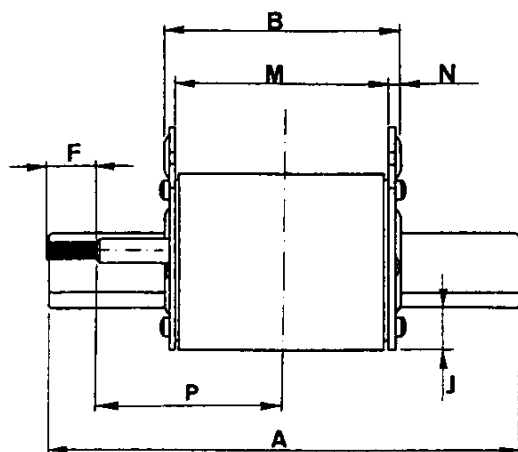
gI-gL-gG

NH DIMENSION KNIFE-BLADE FUSE-LINKS

Catalog Numbers, Ratings – gI-gL-gG with Striker



SIZE	RATED In CURRENT (A)	RATED VOLTAGE	CATALOG NUMBER	INTERRUPTING RATING (A)	STANDARD PACK
0	OS	32	36443-G	80,000	3
		35	36445-G		
		40	36447-G		
		50	36451-G		
		63	36455-G		
		80	36459-G		
	100	36463-G			
	1	690V	125	36465-G	
160			36469-G		
200			36471-G		
80			36559-G	80,000	
100			36563-G		
125		36565-G			
160		36569-G			
200		36571-G			
500V		224	36573-G	120,000	
		250	36575-G		
	315	36579-G			
	355	36581-G			
	2	690V	125		36665-G
160			36669-G		
200			36671-G		
224			36673-G		
250			36675-G		
500V		315	36679-G	120,000	
		355	36681-G		
		400	36683-G		
		500	36687-G		
		3	690V		315
355	36781-G				
400	36783-G				
500	36787-G				
630	36789-G		120,000		

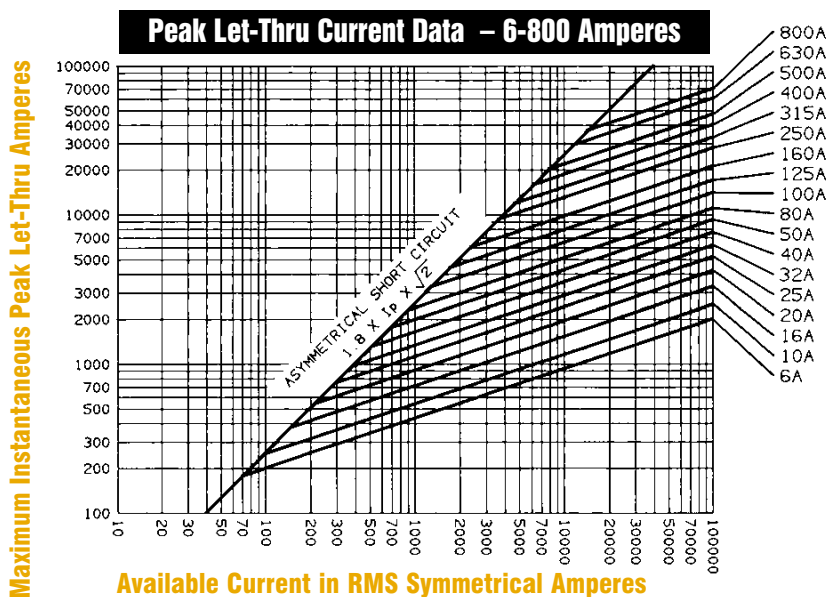
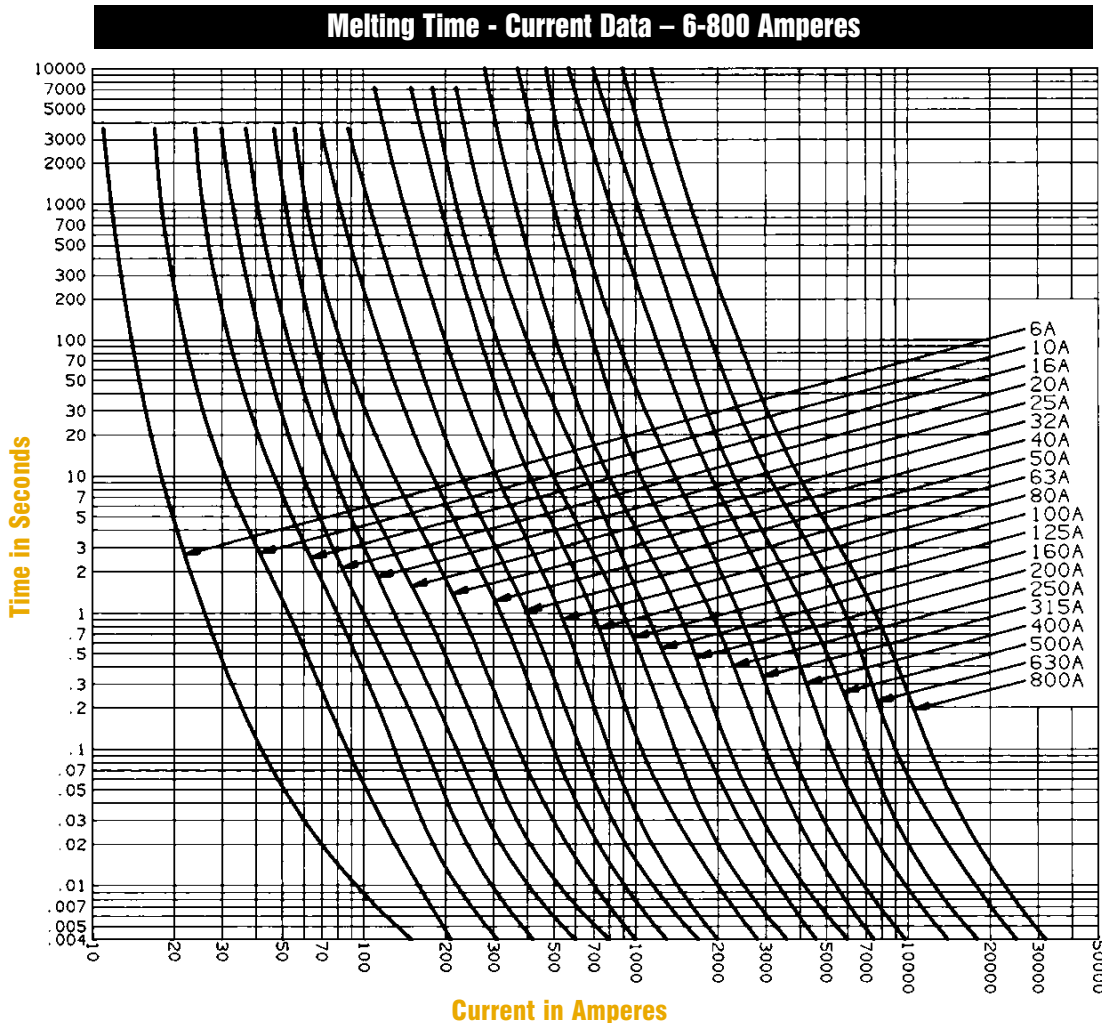


Dimensions

	0	1	2	3
A	124.5	134.5	150	150
B	66	67	67	67
C	39	40	56	69
D	49	55	62.5	76
E	14.5	16	19	24
F	15.5	15.5	15.5	15.5
G	14	14.5	14.5	14.5
H	15	20	26	32
I	6	6	6	6
J	14	14	15	16
K	10	10	10	10
L	59	65	72.5	86
M	60	61	61	61
N	3	3	3	3
O	41.5	45	-	-
P	47	52	60	60

gI-gL-gG

NH DIMENSION KNIFE-BLADE FUSE-LINKS



Striker



gI-gL-gG

NH DIMENSION KNIFE-BLADE FUSE-LINKS

Power Loss (Watts) at Rated Current

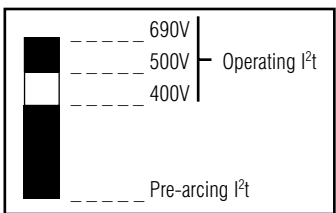
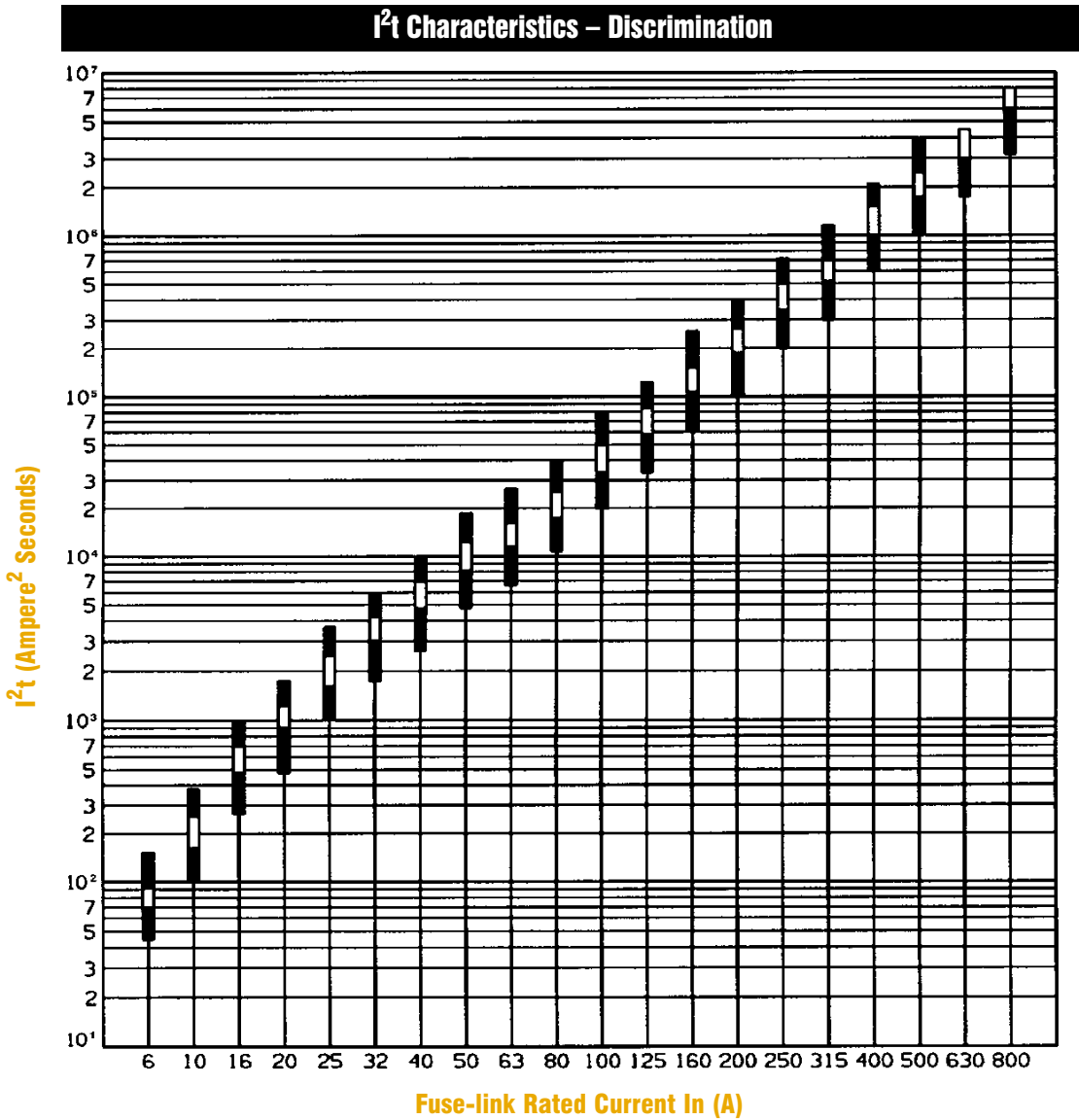
RATED In CURRENT (A)	SIZE						
	00	0	0S	1	2	3	4
6	1.3 W	1.7 W					
10	1.5 W	1.8 W					
16	1.9 W	2.2 W		2.2 W			
20	2.2 W	2.6 W		2.5 W			
25	2.6 W	3.1 W		3.0 W			
32	3.1 W	3.7 W		3.6 W	3.5 W		
35	3.3 W	4.0 W		3.9 W	3.8 W		
40	3.7 W	4.5 W		4.4 W	4.3 W		
50	4.4 W	5.2 W		4.9 W	4.8 W		
63	5.1 W	6.2 W		5.8 W	5.8 W		
80	6.1 W	7.5 W		6.9 W	6.8 W		
100	6.9 W	8.5 W		8.1 W	7.9 W		
125	9.1 W	10.7 W	10.7 W	9.6 W	9.5 W		
160	11.8 W	13.5 W	13.5 W	11.9 W	11.5 W		
200		15.0 W	15.0 W	14.9 W	14.5 W		
224		16.2 W	16.2 W	16.7 W	16.0 W		
250		17.8 W	17.8 W	18.7 W	17.5 W		
315				25.0 W	23.8 W	23 W	
355				28.0 W	26.0 W	25 W	
400					30.0 W	30 W	
425					34.0 W	34 W	
500					40.0 W	40 W	
630						48 W	
800						57 W	67 W
1000							78 W
1250							104 W

RATED In CURRENT (A)	00	0	1	2	3	4
	100A	160A	250A	400A	630A	1000A
VDE 0660 (500V) IEC 269-2-1 (690V) UNE 21103 (500V) NFC 63210 (500V)	12.0 W	25 W	32 W	45 W	60 W	90 W
VDE 0636 (690V)	10.0 W	-	23 W	34 W	48 W	70 W
VDE 0636 (500V)	7.5 W	16 W	23 W	34 W	48 W	110 W
IEC 269 (500V)	7.5 W	16 W	23 W	34 W	48 W	90 W
UNESA (500V)	-	17 W	26 W	32 W	48 W	-
WDE W (500V)	7.5 W	16 W	21 W	32 W	42 W	-

Typical values allowed by the standards.

gI-gL-gG

NH DIMENSION KNIFE-BLADE FUSE-LINKS



aM

NH DIMENSION KNIFE-BLADE FUSE-LINKS



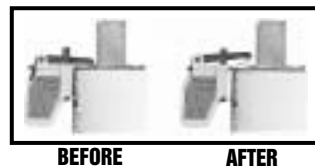
Catalog Numbers, Ratings – aM

SIZE	RATED In CURRENT (A)	RATED VOLTAGE	CATALOG NUMBER	INTERRUPTING RATING (A)	STANDARD PACK
00	10	690V	32133-G	80,000	3
	16		32135-G		
	20		32137-G		
	25		32139-G		
	32		32143-G		
	35		32145-G		
	40		32147-G		
	50		32151-G		
	63		32155-G		
	80		32159-G		
	100		32163-G		
125	32165-G				
	160	500V	32169-G	120 000	
0	0	690V	32343-G	80,000	3
			32345-G		
			32347-G		
			32351-G		
			32355-G		
			32359-G		
			32363-G		
125	32365-G				
	OS	500V	32469-G		
1	50	690V	32551-G	80,000	3
	63		32555-G		
	80		32559-G		
	100		32563-G		
	125		32565-G		
	160		32569-G		
	200		32571-G		
	250		32575-G		
	315		32579-G		
			500V		
2	63	690V	32655-G	80,000	3
	80		32659-G		
	100		32663-G		
	125		32665-G		
	160		32669-G		
	200		32671-G		
	250		32675-G		
	315		32679-G		
	355		32681-G		
	400		32683-G		
	500V				
3	315	690V	32779-G	80,000	3
	355		32781-G		
	400		32783-G		
	500		32787-G		
	630		32789-G		
	500V		120,000		

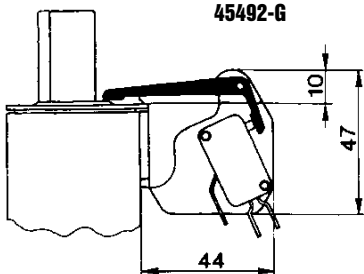
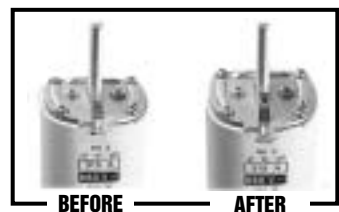
Microswitch – Sizes 00, 1, 2, 3 Only

00-1-2-3			45492-G		1
----------	--	--	---------	--	---

Microswitch Mounted



Blown-Fuse Indicator



aM

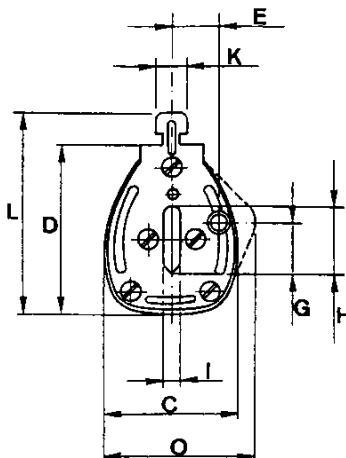
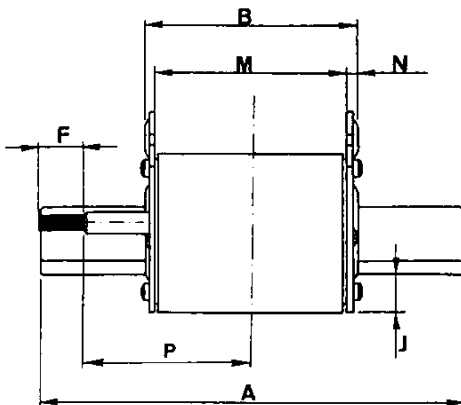
NH DIMENSION KNIFE-BLADE FUSE-LINKS



Catalog Numbers, Ratings – aM with Striker

SIZE	RATED In CURRENT (A)	RATED VOLTAGE	CATALOG NUMBER	INTERRUPTING RATING (A)	STANDARD PACK				
0S	32	690V	37443-G	80,000	5				
	40		37447-G						
	50		37451-G						
	63		37455-G						
	80		37459-G						
	100		37463-G						
	125		37465-G						
0	160	500V	37469-G	80,000	5				
	200		37471-G						
	1		80			690V	37559-G	80,000	5
			100				37563-G		
			125				37565-G		
			160				37569-G		
			200				37571-G		
224		37573-G							
2	250	500V	37575-G	80,000	5				
	125		690V			37665-G	80,000	5	
	160					37669-G			
	200					37671-G			
	224					37673-G			
	250					37675-G			
	315					37679-G			
355	37681-G								
3	400	500V	37683-G	80,000	3				
	500		37687-G						
	315		690V			37779-G	80,000	3	
	355					37781-G			
	400					37783-G			
	500					37787-G			
	630		500V			37789-G	120,000		

Striker

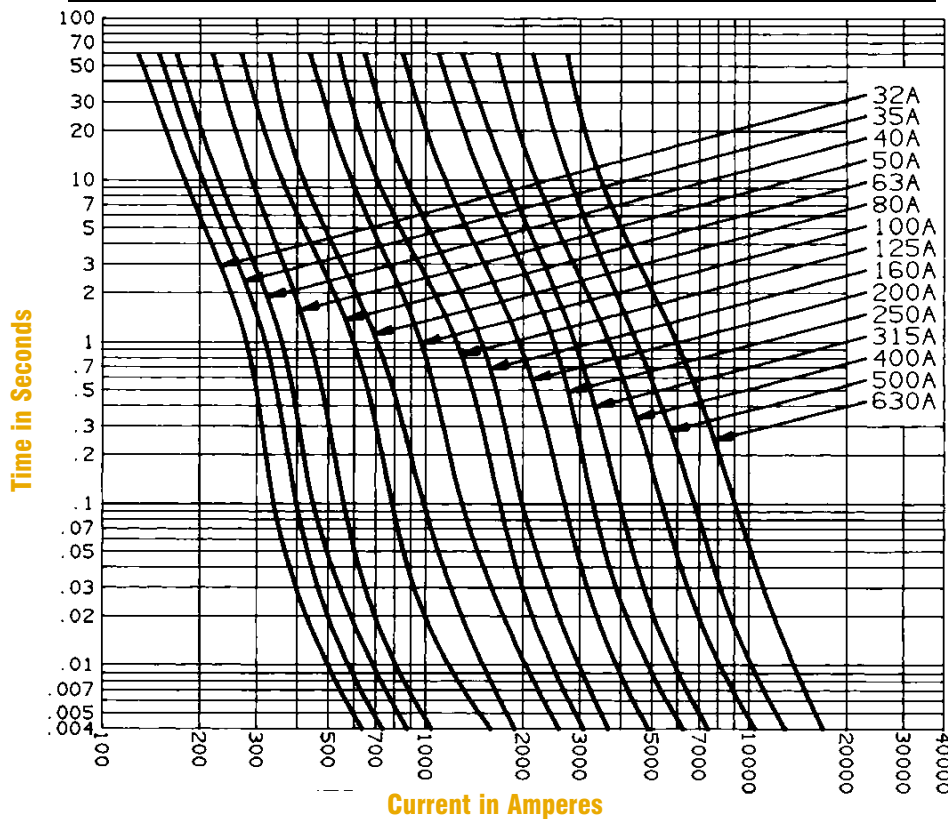


Dimensions

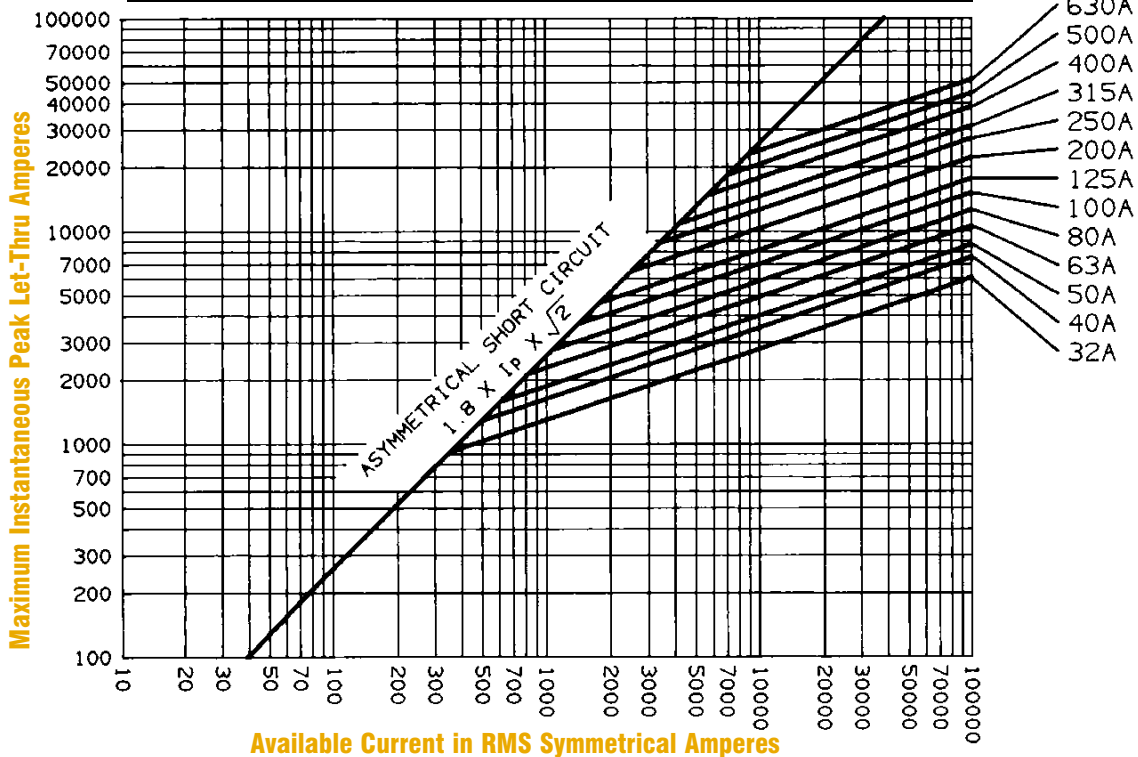
	0	1	2	3
A	124.5	134.5	150	150
B	66	67	67	67
C	39	40	56	69
D	49	55	62.5	76
E	14.5	16	19	24
F	15.5	15.5	15.5	15.5
G	14	14.5	14.5	14.5
H	15	20	26	32
I	6	6	6	6
J	14	14	15	16
K	10	10	10	10
L	59	65	72.5	86
M	60	61	61	61
N	3	3	3	3
O	41.5	45	-	-
P	47	52	60	60



Melting Time - Current Data – 32-630 Amperes



Peak Let-Thru Current Data – 32-630 Amperes

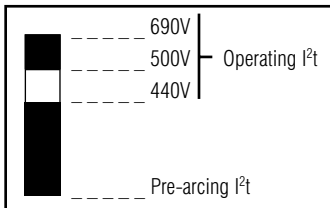


aM

NH DIMENSION KNIFE-BLADE FUSE-LINKS

Power Loss (Watts) at Rated Current

RATED CURRENT In (A)	SIZE				
	00	0/0S	1	2	3
16	1.1 W				
20	1.4 W				
25	1.7 W				
32	2.2 W	2.2 W			
35	2.4 W	2.4 W			
40	2.8 W	2.8 W			
50	3.6 W	3.6 W	3.6 W		
63	4.6 W	4.6 W	4.6 W	4.6 W	
80	6.0 W	6.0 W	6.0 W	6.0 W	
100	7.5 W	7.5 W	7.5 W	7.5 W	
125	9.5 W	9.5 W	9.5 W	9.6 W	
160	10.7 W	12.0 W	12.7 W	12.7 W	
200		18.0 W	16.4 W	16.4 W	
224			21.5 W	18.7 W	
250			29.0 W	21.5 W	
315				29.0 W	25.0 W
355				32.0 W	29.0 W
400				34.0 W	34.0 W
425					38.5 W
500				45.0 W	45.0 W
630					60.0 W



I²t Characteristics – Discrimination

