

SJ SERIES

600 VOLT / FUSE BLOCKS



SPACE-SAVING “SJ” FUSE BLOCKS

Ferraz Shawmut “SJ” Series Fuse Blocks rated 30A and 100A accommodate all 30A and 100A Class J fuses and occupy approximately 25% less mounting space than standard Class J fuse blocks. A patented built-in DIN rail adapter on the 30 ampere SJ block adds further design versatility. A choice of box, screw, or pressure plate connectors fit a wide range of stranded or solid copper or aluminum wire. Insulators are glass-filled polycarbonate with verified dielectric strength in excess of 2500V. The 30 ampere SJ block features a unique adder block which can be snapped onto 1-, 2- or 3-pole blocks to form multi-pole segmented blocks of as many poles as desired. 100A SJ blocks can also be snapped to each other to form multi-poles. All fuse clips are spring reinforced, made of high conductivity tin-plated copper.

RECOMMENDED FUSE USAGE

Class J Blocks (600V) use with **AJT, A4J**

Ratings

- 600VAC: 30A, 100A
- Withstand rating: 200kA

Approvals

- All fuse blocks meet the requirements of UL Std. 512
- UL Listed, Guide IZLT, File E52283
- CSA Certified Class 6225, File 32169



Clip & Connector Types

30A CLIP

SPRING REINFORCED



30A CONNECTORS

SPRING REINFORCED: BOX



SCREW



PRESSURE PLATE



100A CONNECTOR

SIDE CLIP



SJ SERIES

600 VOLT / FUSE BLOCKS

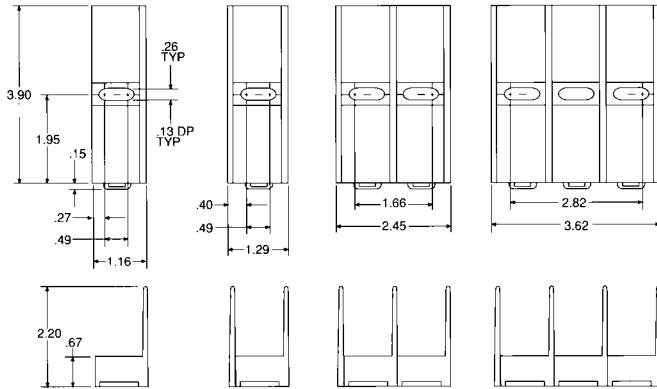


Figure 1

Figure 2

Figure 3

Figure 4

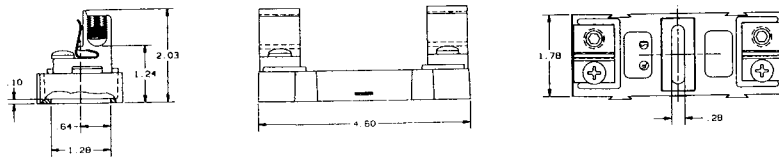
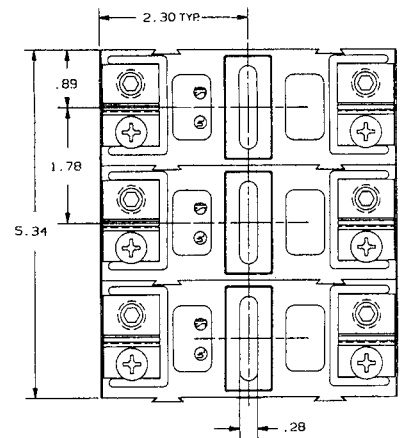
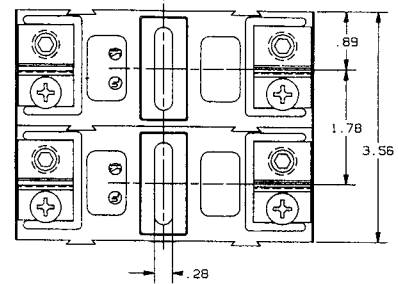


Figure 5

Figure 6

Figure 7



Recommended mounting screws for 30A and 100A fuse blocks: 1/4" (.250" dia.)

600 Volt, 30A & 100A Class J Fuse Blocks

AMPERE RATING	POLES	CONNECTOR		CATALOG NUMBER	FIG.	CONNECTOR TORQUE In - lb
		TYPE	WIRE RANGE			
30 GFPC INSULATOR	ADDER 1 2 3	BOX	Al/Cu #2-14	60305SJ	1	35
				60306SJ	2	
				60307SJ	3	
				60308SJ	4	
	ADDER 1 2 3	SCREW	Cu #10-14	60315SJ	1	20
				60316SJ	2	
				60317SJ	3	
				60318SJ	4	
	ADDER 1 2 3	PRESSURE PLATE	Cu #10-14	60325SJ	1	20
				60326SJ	2	
				60327SJ	3	
				60328SJ	4	
ADDER 1 2 3	BOX	Cu* #4-14	60355SJ	1	35	
			60356SJ	2		
			60357SJ	3		
			60358SJ	4		
100 GFPC INSULATOR	1 2 3	BOX SIDE CLIP	Al/Cu 2/0-#6	61036SJ	5	120
				61037SJ	6	
				61038SJ	7	

Note: To convert 30A "SJ" adder pole to single pole, use end barrier #U09372.

* Fuse blocks have copper box connectors and clips and are for copper wires only. These are specifically designed with the same coefficient of expansion as copper wire for improved heat cycling and meet or exceed OEM "no aluminum" specifications.