

'SAFECLIP' HRC fully shrouded Fuse holders

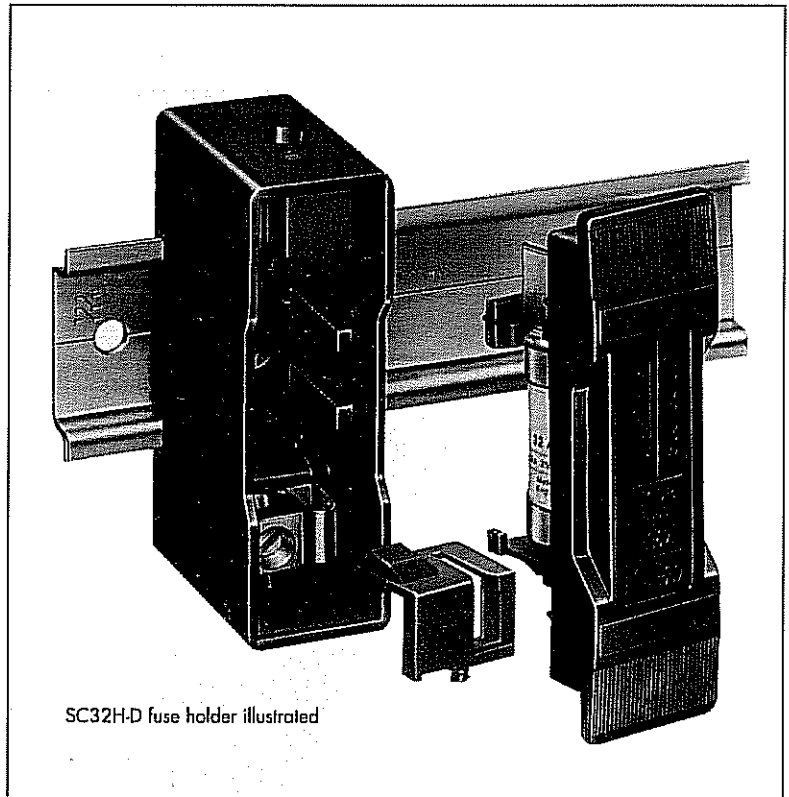
20 Amp, 240 Volt a.c.

32, 63 & 100 Amp, 600 Volt a.c.

125 Amp, 440 Volt a.c.

Complying fully with BS 88:Parts1 & 6:1988 and the 16th Edition of the IEE Wiring Regulations (BS 7671).

- Ideal contact and lower watts loss achieved by self-cleaning, self-aligning base contacts with stainless steel contact reinforcing stirrups.
- Strength and long life assured in fuse carriers moulded from tough flame retardant material.
- Unique clip-action terminal shrouds lowers installed cost of equipment.
- Downtime and maintenance costs minimised due to fuse link directly clipping in and out of the fuse carrier – no screws or tools required.
- Integral DIN-rail mounting feature on 32, 63 and 125 Amp front connected fuse holders enabling the fuse holder to be quickly mounted on standard DIN-rail without the use of tools.
- Full shrouding and complete compliance with the direct contact electric shock requirements of the 16th Edition of the IEE Wiring Regulations.
- Elimination of fuse carrier contacts allowing the fuse tags to fit directly and securely into the base contacts to ensure greater reliability and lower watts loss.
- Certified to CSA-C22.2.



SC32H-D fuse holder illustrated

List numbers for ordering purposes

Rating	Type of connection	List number	Colours available
20	Front	SC20H	Black, White, Green
	Back	SC20P	Black, White, Green
	Busbar/Front	SC20BH	Black
32	Front	SC32H-D	Black, White, Green
	Back	SC32P	Black, White, Green
	Busbar/Front	SC32BH	Black
63	Front	SC63H-D	Black, White
	Back	SC63P	Black
	Busbar/Front	SC63BH	Black
100	Front	SC100H	Black
125	Front	SC125H-D	Black

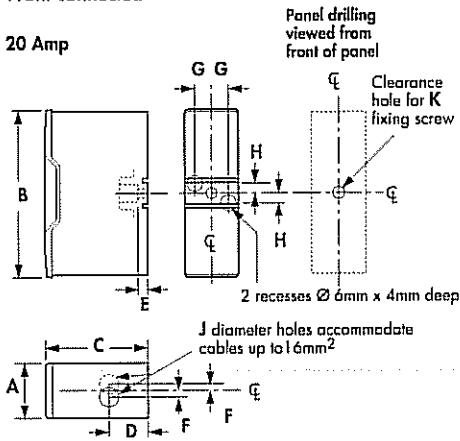
Dimensions

in millimetres

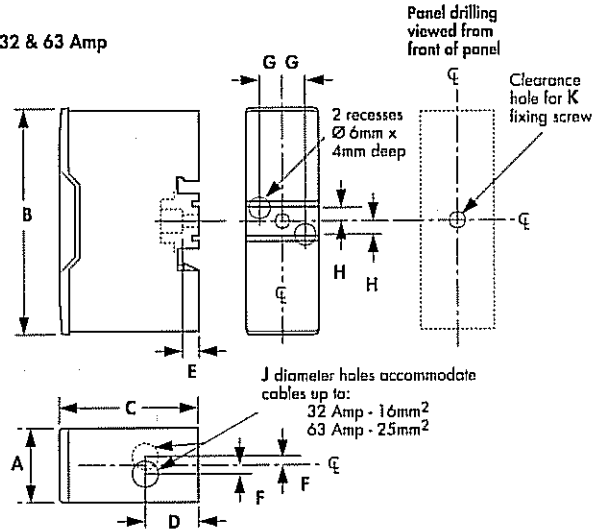
20, 32, 63, 100 & 125 Amp 'SAFECLIP' fuse holders

Front connected

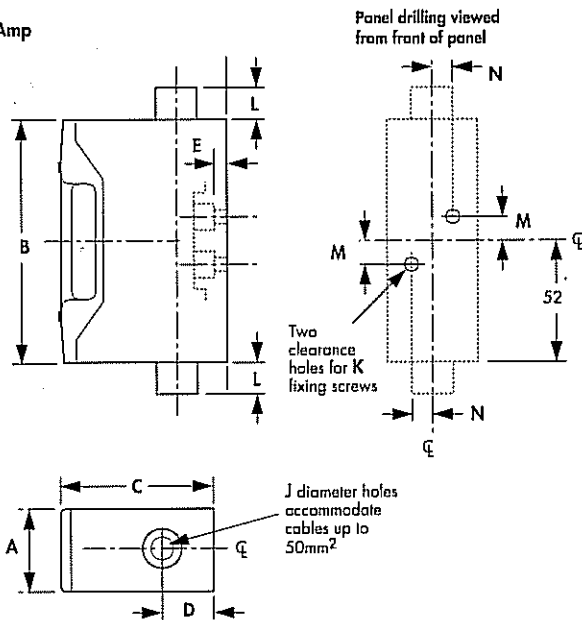
20 Amp



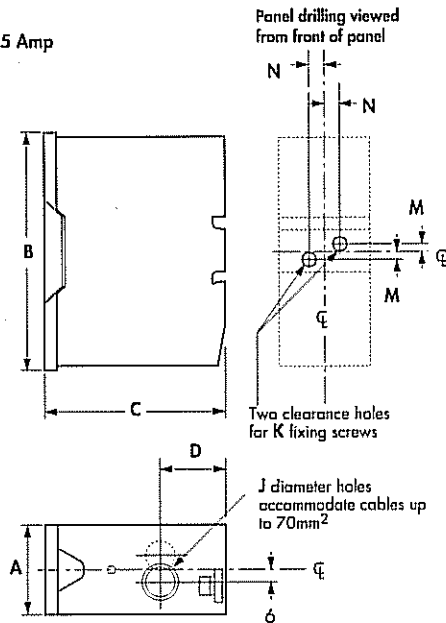
32 & 63 Amp



100 Amp



125 Amp

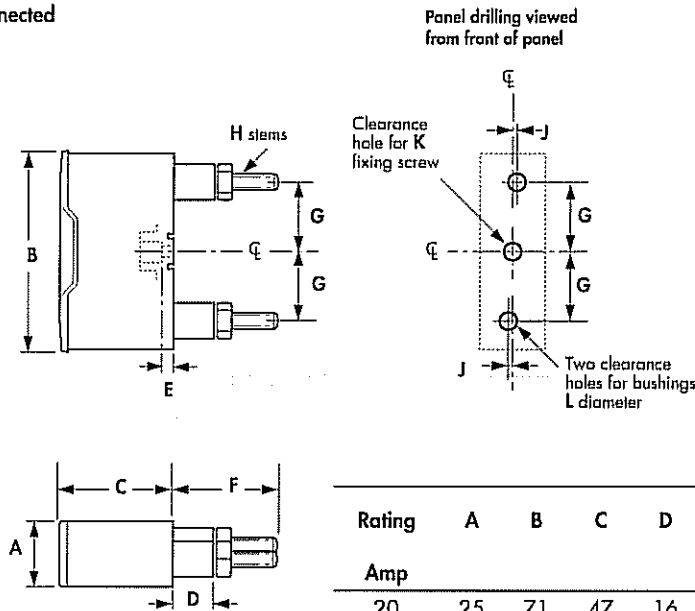


Rating	A	B	C	D	E	F	G	H	J	K	L	M	N
Amp													
20	25	71	47	18	5	2	8	5	6	M5	-	-	-
32	25	81	52	22	5	2	8	5	6	M5	-	-	-
63	30	96	58	24	5	6	8	5	8	M5	-	-	-
100	35	110	75	24	9	-	-	-	10	M5	15	3.0	6.0
125	40	108	84	33	-	-	-	-	14	M5	-	3.2	6.3

Dimensions
in millimetres

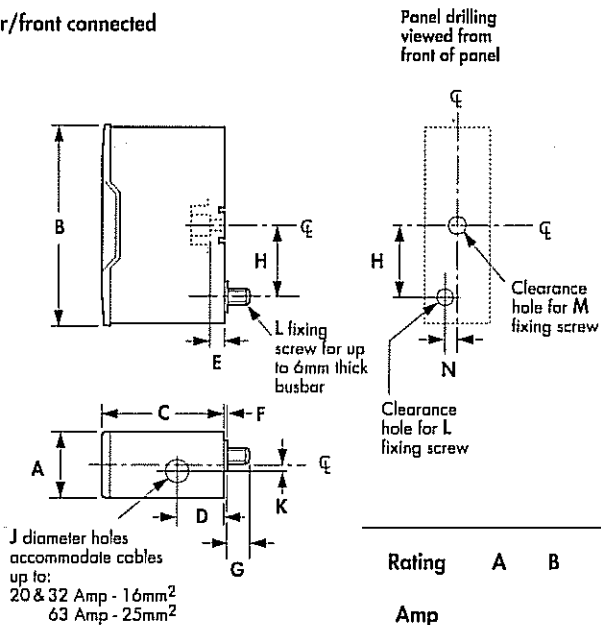
20, 32, 63 Amp 'SAFECLIP' fuse holders

Back connected



Rating	A	B	C	D	E	F	G	H	J	K	L
Amp											
20	25	71	47	16	5	40	22	M6	2	M5	14
32	25	81	47	16	5	40	27	M6	2	M5	14
63	30	96	53	16	5	51	32	M8	5	M5	17

Busbar/front connected



Rating	A	B	C	D	E	F	G	H	J	K	L	M	N
Amp													
20	25	71	47	18	5	1	12	23	6	2	M5	M5	4
32	25	81	47	18	5	1	12	29	6	2	M5	M5	4
63	30	96	53	20	5	1	12	33	8	6	M6	M5	6