

# Red Spot Fuse Fittings



Fuse fittings to AS2005.21.2 – 1990, BS88: Part 2: 1988, 660 volts AC/DC. Approved by leading authorities and used in equipment approved by Lloyds.

## Safety Features

- Full Shrouding for personnel safety and complete compliance with the direct contact electric shock requirements.
- Insulating sleeves are fitted to front connected fuse bases to provide increased protection at the cable entry point.
- Separate base contact insulating shrouds of great strength and flexibility ensure that no “live” metal is dangerously exposed when the fuse carrier is removed.
- Anti-vibration features protect against release of a fuse-carrier due to vibration in service. In the 400 amp size this includes a safety catch which automatically locks on the insertion of the fuse carrier.



Cut-away view of 63 amp front connected contact assembly

## Type Numbers

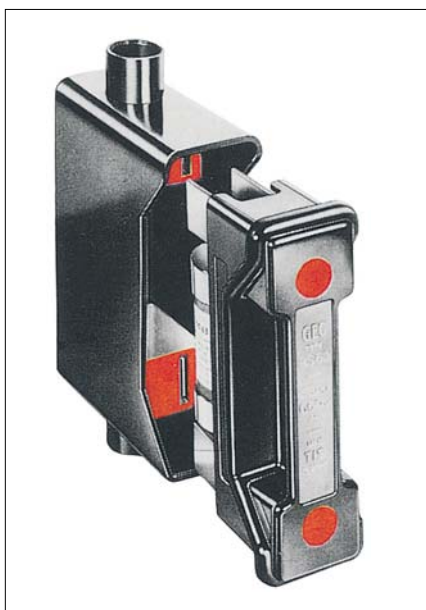
Rating amp	Alternative type of connection		
	Front	Back	Front/Back
20	RS20H	RS20P	RS20PH
32	RS32H	RS32P	RS32PH
63	RS63H	RS63P	RS63PH
100	RS100H	RS100P	RS100PH
200	RS200H	RS200P	RS200PH
400	RS400H	RS400P	RS400PH

Illustrations & dimensions shown on pages 8-11

## Recommended Maximum Cable Sizes

Rating amp	H and PH types	BW types
20	10mm <sup>2</sup>	10mm <sup>2</sup>
32	25mm <sup>2</sup>	16mm <sup>2</sup>
63	50mm <sup>2</sup>	35mm <sup>2</sup>
100	95mm <sup>2</sup>	70mm <sup>2</sup>
200	120mm <sup>2</sup>	-
400	240mm <sup>2</sup>	-

## Application Data



Front connected 63 amp fuse fitting

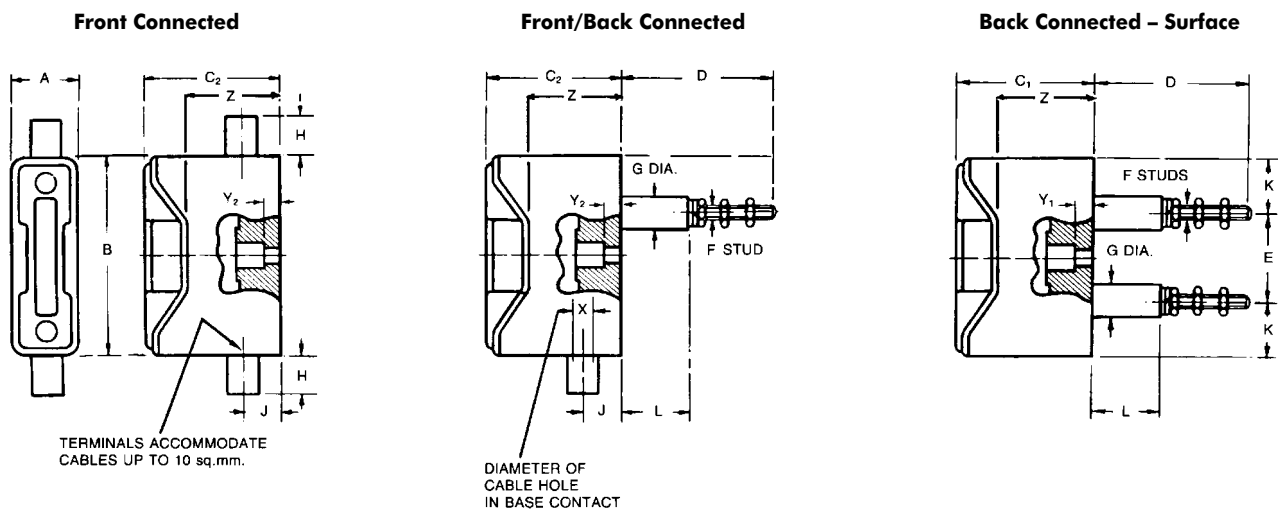
### Method of Cabling

#### Front connected fuse fittings

1. Remove red nylon insulating shroud to release cable sleeve.
2. Remove cable sleeve.
3. Fit cable sleeve over cable.
4. Fit conductor into fuse base terminal and tighten cable clamping screw to secure. If flexible cables are used, their relatively fine strands may be given increased protection by the use of thin wall copper ferrules over the conductor. The following should be taken into account:
  - a) The inside diameter of the thin wall copper ferrule should match that of the bared conductor end as closely as possible.
  - b) The length of the thin wall copper ferrule should match that of the tunnel in the fuse base terminal.
  - c) The wall thickness of the ferrule should be thin enough for the ferrule to be compressed by the tightening of the cable clamping screw. The flexible conductors will then be consolidated within the deformed ferrule.
5. Replace red nylon shroud taking care that it holds the cable sleeve in position by locating the shroud in the groove in the sleeves.

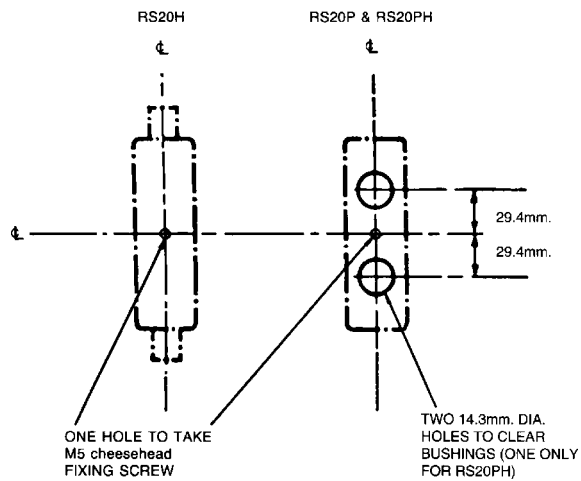
# Dimensions

## 20A Red Spot Fuse Fittings



	A	B	C <sub>1</sub>	C <sub>2</sub>	D	E	F	G	H	J	K	L	X	Y	Y <sub>2</sub>	Z
mm	27.0	79.0	54.0	55.0	63	58.8	M6	13.5	15.0	16	10.10	29	6.0	5.6	6.6	37

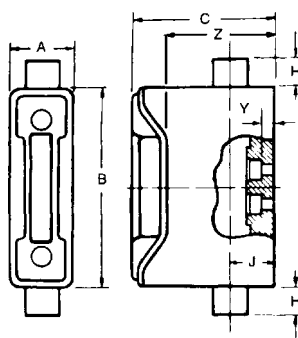
## Panel Drilling Dimensions (viewed from front of panel)



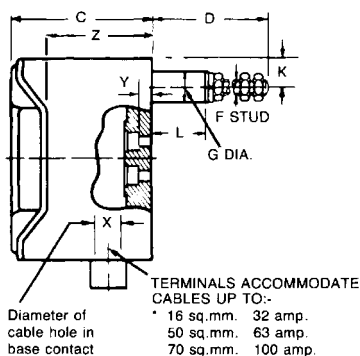
# Dimensions

## 32, 63 & 100 amp Red Spot Fuse Fittings

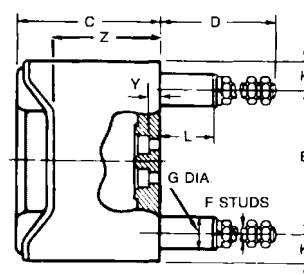
Front Connected



Front/Back Connected

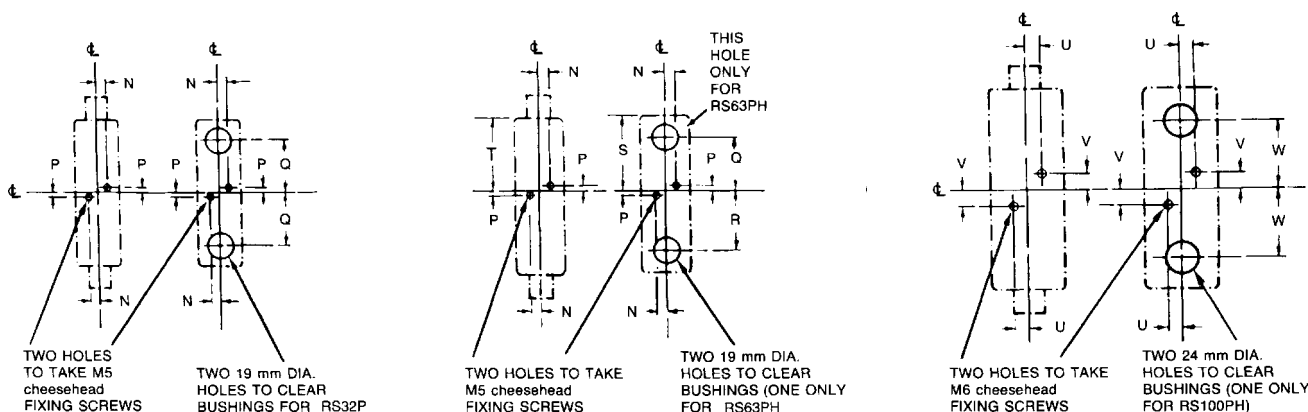


Back Connected – Surface



Rating Amp	A	B	C	D	E	F	G	H	J	K	L	X	Y	Z
32	32	103	70	81.0	73	M6	17.5	15	22	15	29	6.2	5.6	49 mm
63	35	110	75	84.0	78	M8	17.5	15	24	16	29	9.5	5.6	54 mm
100	51	140	100	87	94	M10	22	15	28	23	32	14	7.2	74 mm

## Panel Drilling Dimensions (viewed from front of panel)

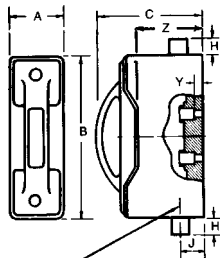


	N	P	Q	R	S	T	U	V	W
mm	6.4	3.2	36.5	41.3	52.4	51.6	9.5	11.1	46.8

# Dimensions

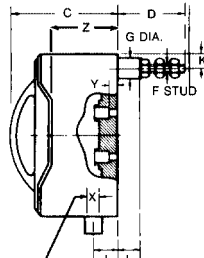
## 200 amp Red Spot Fuse Fittings

**Front Connected**



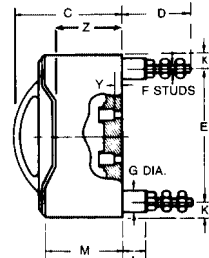
TERMINALS ACCOMMODATE CABLES UP TO 120 sq.mm.

**Front/Back Connected**

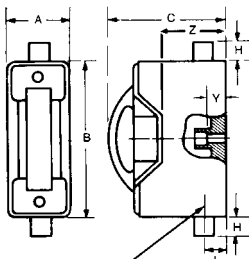


DIAMETER OF CABLE HOLE IN BASE CONTACT

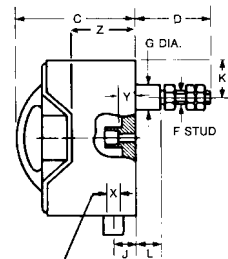
**Back Connected – Surface**



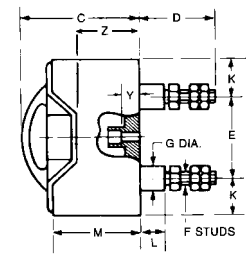
## 400 amp Red Spot Fuse Fittings



TERMINALS ACCOMMODATE CABLES UP TO 240 sq. mm.



DIAMETER OF CABLE HOLE IN BASE CONTACT

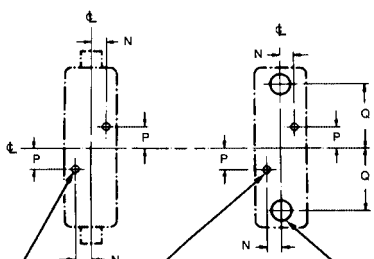


Rating Amp	A	B	C	D	E	F	G	H	J	K	L	M	X	Y	Z	
200	70	216	136.5	95	171.5	M12	25	22	32	22	32	100.0	16	9.5	84	mm
400	98	254.0	192	114	140	M16	32	32	36.5	57	38	151	21	32	130	mm

## Panel Drilling Dimensions (viewed from front of panel)

**RS200H**

**RS200P & RS200PH**



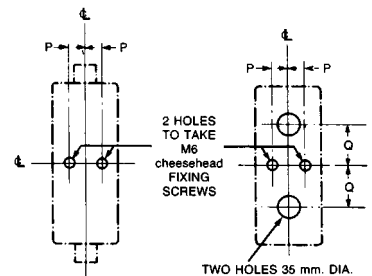
TWO HOLES TO TAKE M6 cheesehead FIXING SCREWS

TWO 27 mm DIA. HOLES TO CLEAR BUSHINGS (ONE ONLY FOR RS200PH)

	N	P	Q
mm	19.1	28.6	85.7

**RS400H**

**RS400P & RS400PH**



2 HOLES TO TAKE M6 cheesehead FIXING SCREWS

TWO HOLES 35 mm DIA. TO CLEAR BUSHINGS (ONE ONLY FOR RS400PH)

	P	Q
mm	27.0	69.9