

PCF SERIES

PC MOUNT FUSES



FAST ACTING FUSES FOR DIRECT MOUNTING ON PRINTED CIRCUIT BOARDS

Ferraz Shawmut's new PCF series of fast-acting direct-mountable fuses addresses the increasing need for electrical protection at the PC board as current and voltage requirements push higher. These fuses help printed circuit board manufacturers reduce parts by eliminating clips and fuse blocks and allowing automated assembly. PCF fuses can be used for the protection of main frame power boards, small circuit breakers with low interrupting ratings and other critical components. PCF fuses bring greatly increased ampere, voltage and interrupting ratings to the board itself and are UL Component Recognized.

HIGHLIGHTS:

- Fast Acting
- PC Board Mount
- Three Mounting Styles

APPLICATIONS:

- Protection of main frame power boards, circuit breakers, components

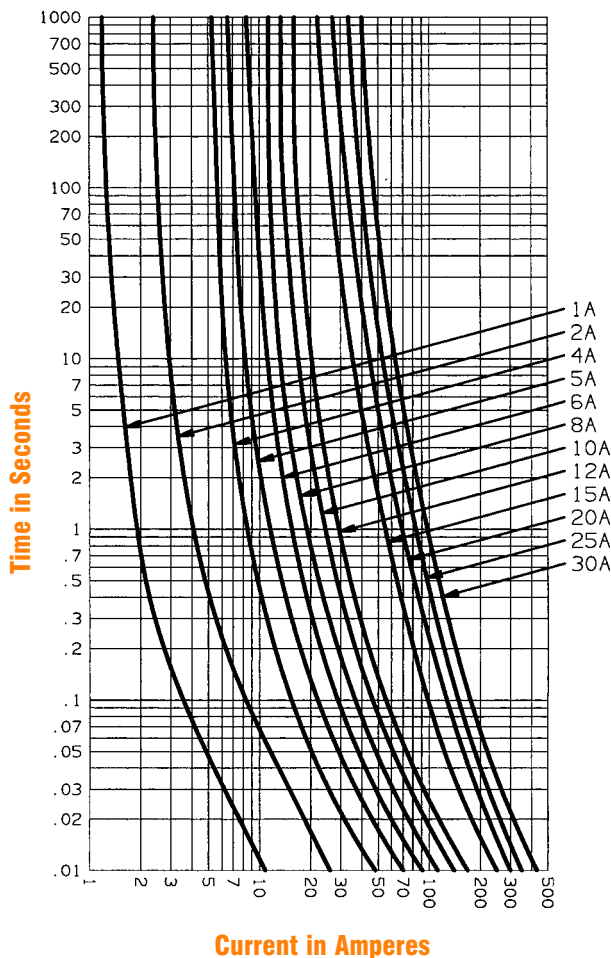
Ratings

- **AC:** 1 to 30A
600VAC, 100kA I.R.
- **DC:** 1 to 30A
500VDC, 100kA I.R.
L/R ≤ 10ms

Approvals

- UL Recognized Components

Melting Time — Current Data



Standard Fuse Ampere Ratings, Catalog Numbers

AMPERE RATING	CATALOG NUMBER	AMPERE RATING	CATALOG NUMBER
Slot Mount			
1	PCF1-R	8	PCF8-R
2	PCF2-R	10	PCF10-R
3	PCF3-R	12	PCF12-R
4	PCF4-R	15	PCF15-R
5	PCF5-R	20	PCF20-R
6	PCF6-R	25	PCF25-R
7	PCF7-R	30	PCF30-R
Double Hole Mount			
1	PCF1-H	8	PCF8-H
2	PCF2-H	10	PCF10-H
3	PCF3-H	12	PCF12-H
4	PCF4-H	15	PCF15-H
5	PCF5-H	20	PCF20-H
6	PCF6-H	25	PCF25-H
7	PCF7-H	30	PCF30-H
Surface Mount			
1	PCF1-S	8	PCF8-S
2	PCF2-S	10	PCF10-S
3	PCF3-S	12	PCF12-S
4	PCF4-S	15	PCF15-S
5	PCF5-S	20	PCF20-S
6	PCF6-S	25	PCF25-S
7	PCF7-S	30	PCF30-S

Dimensions of the PCF Series are found on page C 26

PCS SERIES

PC MOUNT FUSES



SEMICONDUCTOR PROTECTION FUSES FOR DIRECT MOUNTING ON PRINTED CIRCUIT BOARDS

Ferraz Shawmut's new PCS series of extremely fast-acting, direct-mountable fuses addresses the increasing need for electrical protection at the PC board as current and voltage requirements push higher. These fuses help printed circuit board manufacturers reduce parts by eliminating clips and fuse blocks and allowing automated assembly. PCS fuses are AC and DC rated and are extremely current-limiting. They will protect semiconductors, main frame boards, circuit breakers with low interrupting rating and other critical components. PCS fuses bring I²t protection, higher voltage and interrupting ratings to the board itself and are UL Component Recognized.



HIGHLIGHTS:

- Extremely Fast Acting
- PC Board Mount
- Three Mounting Styles

APPLICATIONS:

- Protection of semiconductors, circuit breakers, critical components

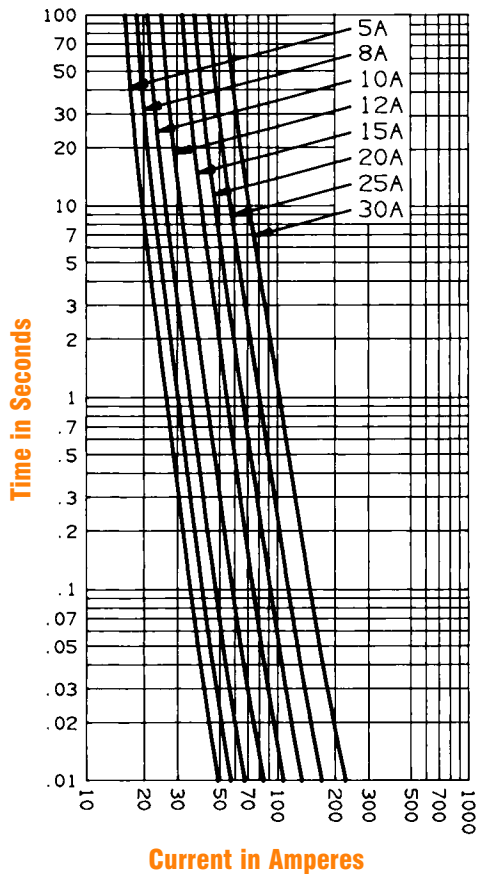
Ratings

- **AC:** 5 to 30A
600VAC, 200kA I.R.
- **DC:** 5 to 30A
600VDC, 100kA I.R.
L/R ≤ 10 ms

Approvals

- UL Recognized Components

Melting Time — Current Data



Standard Fuse Ampere Ratings, Catalog Numbers

AMPERE RATING	CATALOG NUMBER	AMPERE RATING	CATALOG NUMBER
Slot Mount			
5	PCS5-R	15	PCS15-R
8	PCS8-R	20	PCS20-R
10	PCS10-R	25	PCS25-R
12	PCS12-R	30	PCS30-R
Double Hole Mount			
5	PCS5-H	15	PCS15-H
8	PCS8-H	20	PCS20-H
10	PCS10-H	25	PCS25-H
12	PCS12-H	30	PCS30-H
Surface Mount			
5	PCS5-S	15	PCS15-S
8	PCS8-S	20	PCS20-S
10	PCS10-S	25	PCS25-S
12	PCS12-S	30	PCS30-S

Dimensions of the PCS Series are found on page C 26

PCS SERIES

PC MOUNT FUSES

I^2t at 600VDC, 100kA, L/R = 10 ms

AMPERE RATING	CLEARING I^2t (A ² s)
5	40
8	42
10	70
12	90
15	110
20	200
25	260
30	520

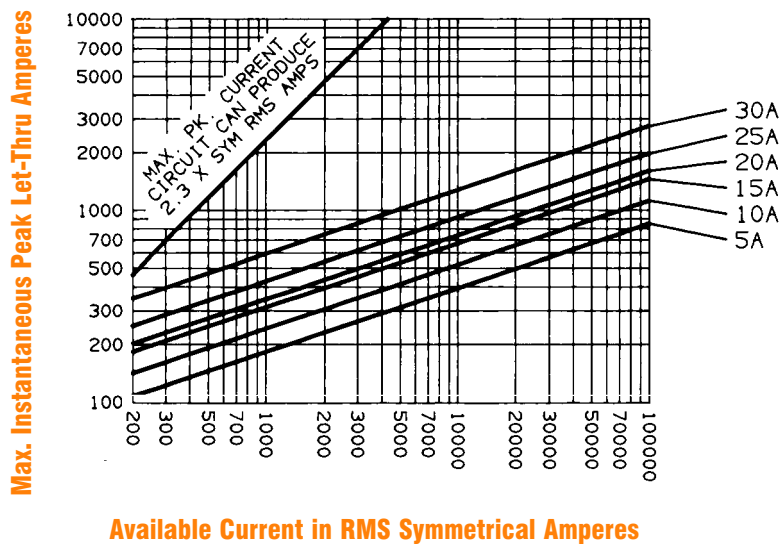
I^2t at 600VAC, 100kA

AMPERE RATING	MELTING I^2t (A ² s)	CLEARING I^2t (A ² s)
5	5	60
8	6.5	70
10	10	110
12	17	150
15	26	180
20	41	330
25	69	440
30	132	860

Watts Loss Data

AMPERE RATING	WATTS LOSS @ 80% RATING (w)	WATTS LOSS @ 100% RATING (w)
5	0.5	0.7
10	0.9	1.5
15	1.9	3.0
20	2.6	4.4
25	2.9	5.3
30	3.0	5.8

Peak Let-Thru Current Data — PCS5 to 30-R, H or S, 600 Volts AC



PCT SERIES

PC MOUNT FUSES



TIME DELAY FUSES FOR DIRECT MOUNTING ON PRINTED CIRCUIT BOARDS

Ferraz Shawmut's new PCT series of time-delay, direct-mountable fuses addresses the increasing need for electrical protection at the PC board as current and voltage requirements push higher. These fuses help printed circuit board manufacturers reduce parts by eliminating clips and fuse blocks and allowing automated assembly. PCT fuses can be used for the protection of main frame power boards, small circuit breakers with low interrupting ratings and other components. PCT fuses bring protection with time delay, greatly increased ampere, voltage and interrupting ratings to the board itself and are UL Component Recognized



HIGHLIGHTS:

- Time Delay
- PC Board Mount
- Three Mounting Styles

APPLICATIONS:

- Protection of main frame power boards, circuit breakers, components

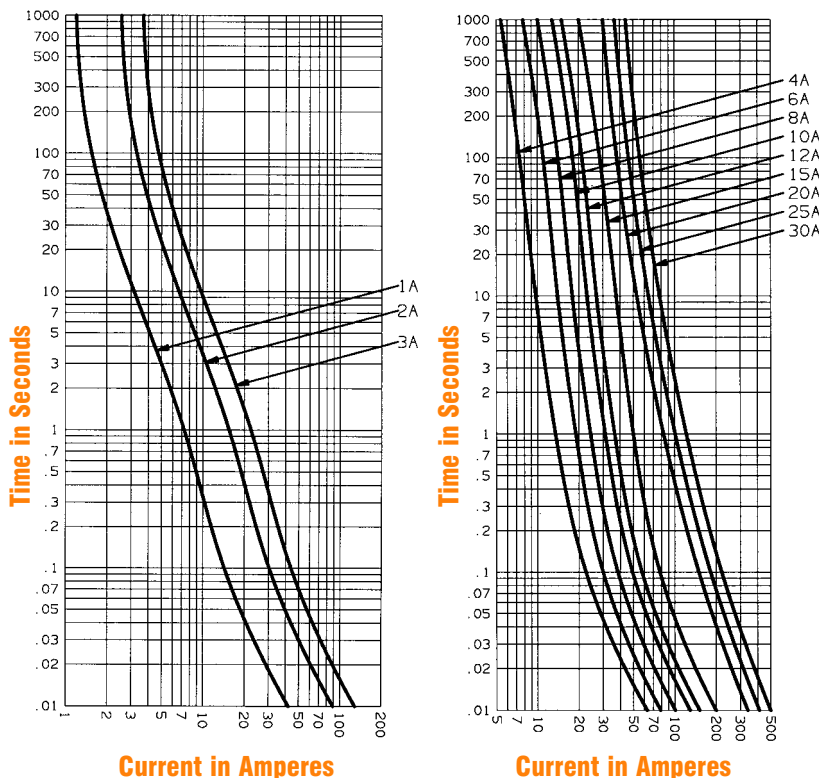
Ratings

- **AC:** 1 to 30A
500VAC, 100kA

Approvals

- UL Recognized Components

Melting Time — Current Data



Standard Fuse Ampere Ratings, Catalog Numbers

AMPERE RATING	CATALOG NUMBER	AMPERE RATING	CATALOG NUMBER
Slot Mount			
1	PCT1-R	8	PCT8-R
2	PCT2-R	10	PCT10-R
3	PCT3-R	12	PCT12-R
4	PCT4-R	15	PCT15-R
5	PCT5-R	20	PCT20-R
6	PCT6-R	25	PCT25-R
7	PCT7-R	30	PCT30-R
Double Hole Mount			
1	PCT1-H	8	PCT8-H
2	PCT2-H	10	PCT10-H
3	PCT3-H	12	PCT12-H
4	PCT4-H	15	PCT15-H
5	PCT5-H	20	PCT20-H
6	PCT6-H	25	PCT25-H
7	PCT7-H	30	PCT30-H
Surface Mount			
1	PCT1-S	8	PCT8-S
2	PCT2-S	10	PCT10-S
3	PCT3-S	12	PCT12-S
4	PCT4-S	15	PCT15-S
5	PCT5-S	20	PCT20-S
6	PCT6-S	25	PCT25-S
7	PCT7-S	30	PCT30-S

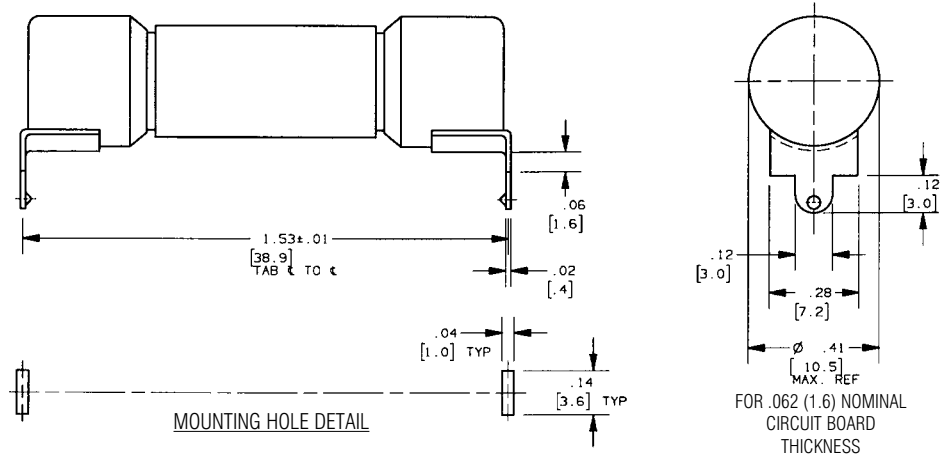
Dimensions of the PCT Series are found on page C 26

PCF/PCS/PCT SERIES PC MOUNT FUSES

Outline Dimensions

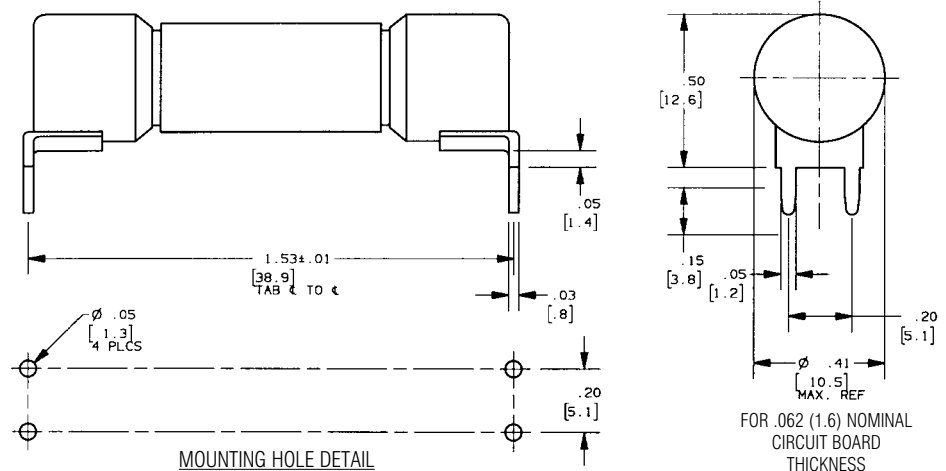
Slot Mount (Rectangular Holes)

PCF1-R thru PCF30-R
 PCS5-R thru PCS30-R
 PCT1-R thru PCT30-R



Double Hole Mount (Round Holes)

PCF1-H thru PCF30-H
 PCS5-H thru PCS30-H
 PCT1-H thru PCT30-H



Surface (Screw) Mount

PCF1-S thru PCF30-S
 PCS5-S thru PCS30-S
 PCT1-S thru PCT30-S

