

CLASS T

300 & 600 VOLT / FUSE BLOCKS



CLASS T FUSE BLOCKS

Ferraz Shawmut Class T Fuse Blocks accommodate Class T fuses up to 600A. Insulators are either the durable, glass-filled polycarbonate (GFPC) or phenolic with verified dielectric strength in excess of 2500V. Ferraz Shawmut is the only manufacturer to offer Class T blocks with copper connectors.

FEATURES/BENEFITS

- **Unique integral DIN rail adapters** for 600V, 30 & 60A blocks
- **Full barrier design** (30 & 60A) increases pole to pole safety
- **Unique adder-block design** (30 & 60A) for design flexibility
- **Spring reinforcing** standard for all 30 & 60A clips
- **Features high conductivity** copper alloy fuse clips
- **Cool running high amperage** (100 - 600A) connectors
- **Copper connectors** available 30 - 600A

RECOMMENDED FUSE USAGE

Class T Blocks (300V)use with **A3T**
Class T Blocks (600V)use with **A6T**

Ratings

- 300VAC:
30A, 60A, 100A,
200A, 400A, 600A
- 600VAC:
30A, 60A, 100A,
200A, 400A, 600A
- Withstand Rating:
200,000A Symmetrical

Approvals

- All fuse blocks meet the requirements of UL Std. 512
- UL Listed, Guide IZLT, File E52283
- UL Recognized Component Guide IZLT2, File E52283
- CSA Certified Class 6225, File 32169



CLIP & CONNECTOR TYPES

SPRING REINFORCED 30A & 60A CLIPS

300V - 30A
600V - 30A



300V - 60A



600V - 60A

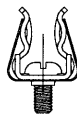


CONNECTORS FOR SPRING REINFORCED 30A & 60A CLIPS

30A - 60A
BOX



30A - 60A
SCREW



30A - 60A
PRESSURE PLATE



CONNECTORS

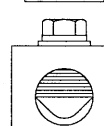
100A BOX
SIDE CLIP



100A BOX

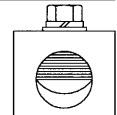


200A BOX

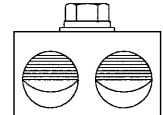


CONNECTORS

400A BOX

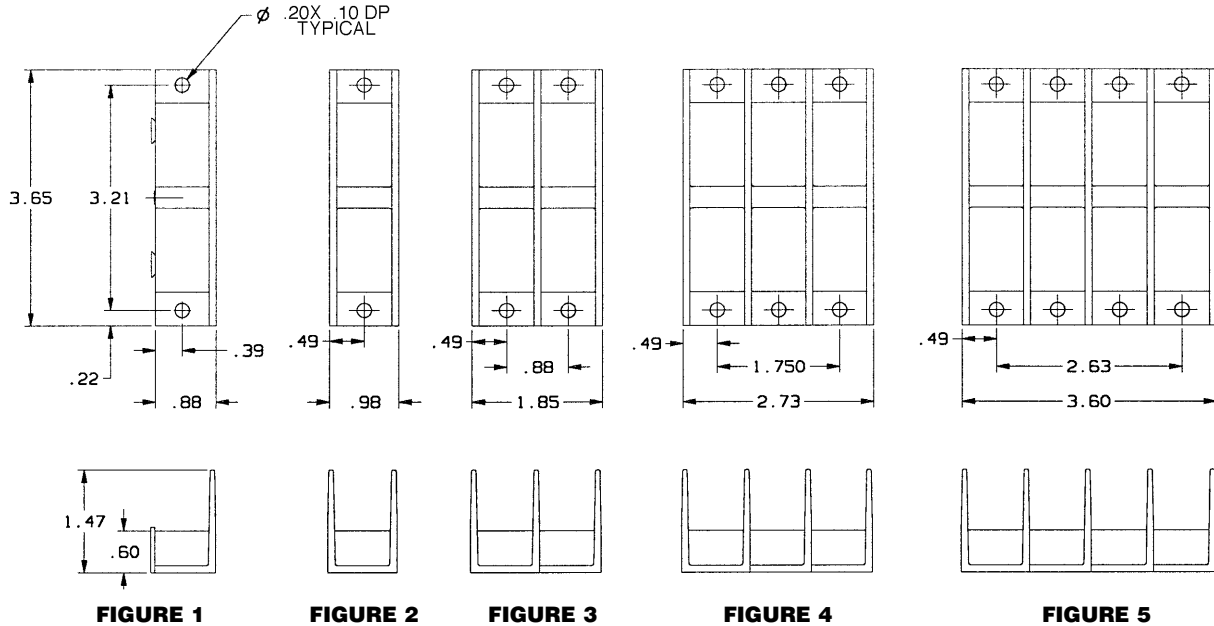


600A BOX



CLASS T

300 VOLT / FUSE BLOCKS



300 Volt, 30 & 60 Ampere Class T Fuse Blocks

AMPERE RATING	POLES	CONNECTOR		CATALOG NUMBER	FIG.	CONNECTOR TORQUE In - lb
		TYPE	WIRE RANGE			
30 GFPC INSULATOR	ADDER	BOX	Al/Cu #2-14	30305T	1	35
	1			30306T	2	
	2			30307T	3	
	3			30308T	4	
	4			30309T	5	
	ADDER	SCREW	Cu #10-14	30315T	1	20
	1			30316T	2	
	2			30317T	3	
	3			30318T	4	
	4			30319T	5	
	ADDER	PRESSURE PLATE	Cu #10-14	30325T	1	20
	1			30326T	2	
	2			30327T	3	
	3			30328T	4	
	4			30329T	5	
	ADDER	BOX	Cu* #4-14	30355T	1	35
1	30356T			2		
2	30357T			3		
3	30358T			4		
4	30359T			5		
60 GFPC INSULATOR	ADDER	SCREW	Cu #10-14	30615T**	1	20
	1			30616T**	2	
	2			30617T**	3	
	3			30618T**	4	
	4			30619T**	5	
	ADDER	BOX	Al/Cu #2-14	30605T	1	45
	1			30606T	2	
	2			30607T	3	
	3			30608T	4	
	4			30609T	5	
	ADDER	BOX	Cu* #4-14	30655T	1	45
	1			30656T	2	
2	30657T			3		
3	30658T			4		
4	30659T			5		

Recommended base mounting screws: #10 (.190" dia.)

Note: * Fuse blocks have copper box connectors and clips and are for copper wires only. These are specifically designed with the same coefficient of expansion as copper wire for improved heat cycling and meet or exceed OEM "no aluminum" specifications.

** UL Component Recognized

CLASS T

300 VOLT / FUSE BLOCKS

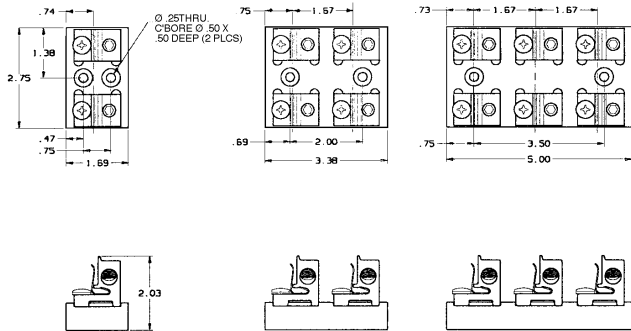


FIGURE 1

FIGURE 2

FIGURE 3

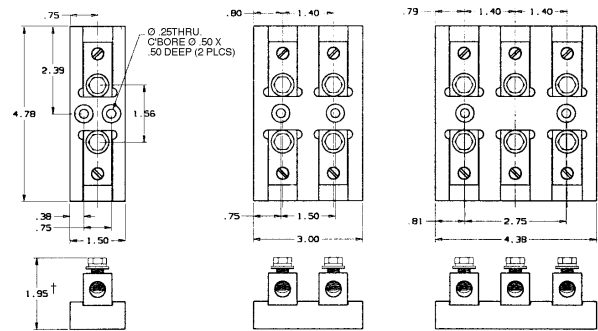


FIGURE 4

FIGURE 5

FIGURE 6

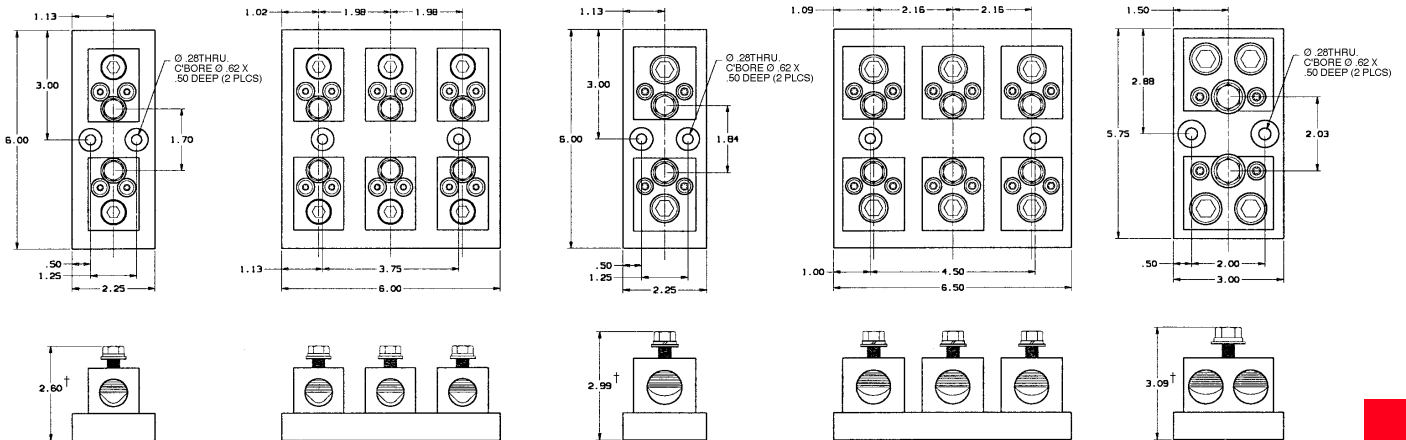


FIGURE 7

FIGURE 8

FIGURE 9

FIGURE 10

FIGURE 11



300 Volt, 100, 200, 400 & 600 Ampere Class T Fuse Blocks

AMPERE RATING	POLES	CONNECTOR		CATALOG NO. SPRING REINFORCED	FIG.	TORQUE (IN-LBS)	
		TYPE	WIRE RANGE			CONNECTOR	FUSE BOLT
100 PHENOLIC INSULATOR	1	BOX SIDE-CLIP	Al/Cu	31031T	1	120	-
	2		2/0-#6	31032T	2		
	3		31033T	3			
200 PHENOLIC INSULATOR	1	BOX	Cu*	31001T	4	50	72
	2		2/0-#12	31002T	5		
	3		31003T	6			
200 PHENOLIC INSULATOR	1	BOX	Al/Cu	32031T	7	275	132
	3		350 kcmil-#6	32033T	8		
	1		Cu*	32051T	7		
3	350 kcmil-#6	32053T	8				
400 PHENOLIC INSULATOR	1	BOX	Al/Cu	34031T	9	600	228
	3		600 kcmil-#2	34033T	10		
	1		Cu*	34051T	9		
3	600 kcmil-#2	34053T	10				
600 PHENOLIC INSULATOR	1	BOX	Al/Cu	36031T	11	600	360
	1		Cu*	36051T	11		
			(2) 600 kcmil-#2				
			(2) 600 kcmil-#2				

† Note: Height includes nominal fuse blade thickness

Recommended base mounting screws:

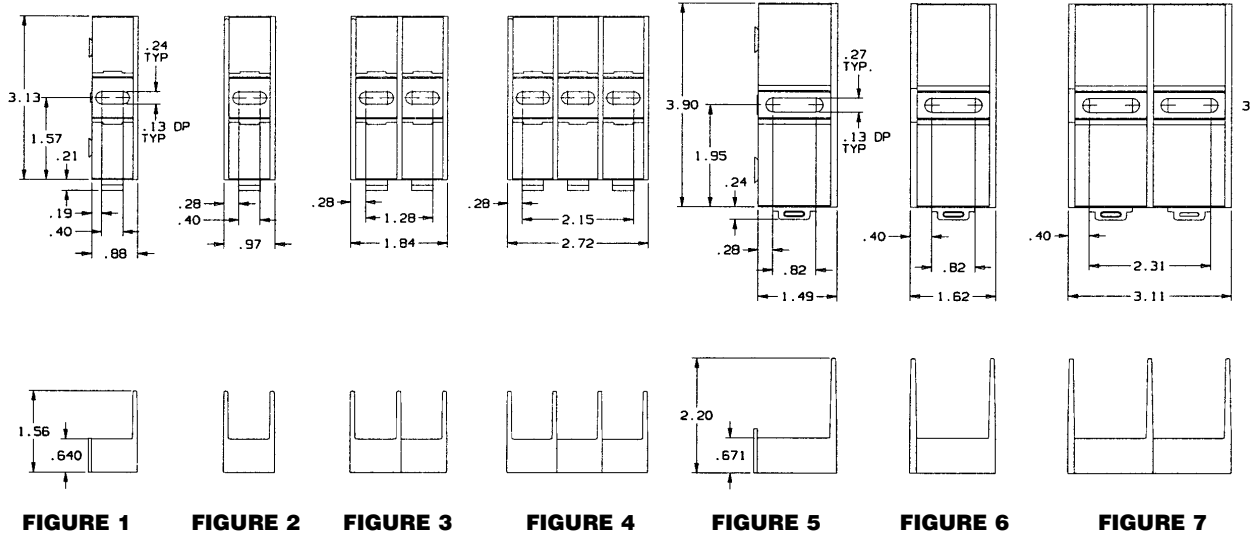
100A & 200A, #10 (.190" dia.)

400A & 600A, 1/4" (.250" dia.)

Note: * Fuse blocks have copper box connectors and are for copper wires only. These are specifically designed with the same coefficient of expansion as copper wire for improved heat cycling and meet or exceed OEM "no aluminum" specifications.

CLASS T

600 VOLT / FUSE BLOCKS



600 Volt, 30 & 60 Ampere Class T Fuse Blocks

AMPERE RATING	POLES	CONNECTOR		CATALOG NUMBER	FIG.	CONNECTOR TORQUE In - lb
		TYPE	WIRE RANGE			
30 GFPC INSULATOR	ADDER	BOX	Al/Cu #2-14	60305T	1	35
	1			60306T	2	
	2			60307T	3	
	3			60308T	4	
	ADDER	SCREW	Cu #10-14	60315T	1	20
	1			60316T	2	
	2			60317T	3	
	3			60318T	4	
	ADDER	PRESSURE PLATE	Cu #10-14	60325T	1	20
	1			60326T	2	
	2			60327T	3	
	3			60328T	4	
ADDER	BOX	Cu* #4-14	60355T	1	35	
1			60356T	2		
2			60357T	3		
3			60358T	4		
60 GFPC INSULATOR	ADDER	SCREW	Cu #10-14	60615T**	5	20
	1			60616T**	6	
	2			60617T**	7	
	3			60618T**	8	
	ADDER	BOX	Al/Cu #2-14	60605T	5	45
	1			60606T	6	
	2			60607T	7	
	3			60608T	8	
	ADDER	BOX	Cu* #4-14	60655T	5	45
	1			60656T	6	
	2			60657T	7	
	3			60658T	8	

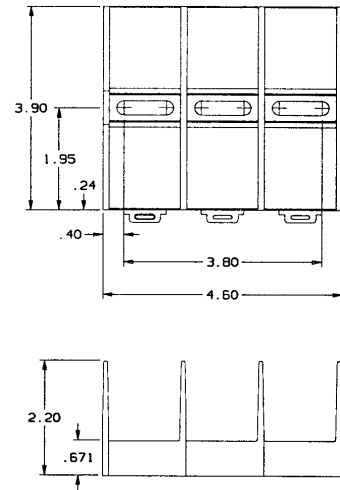


FIGURE 8

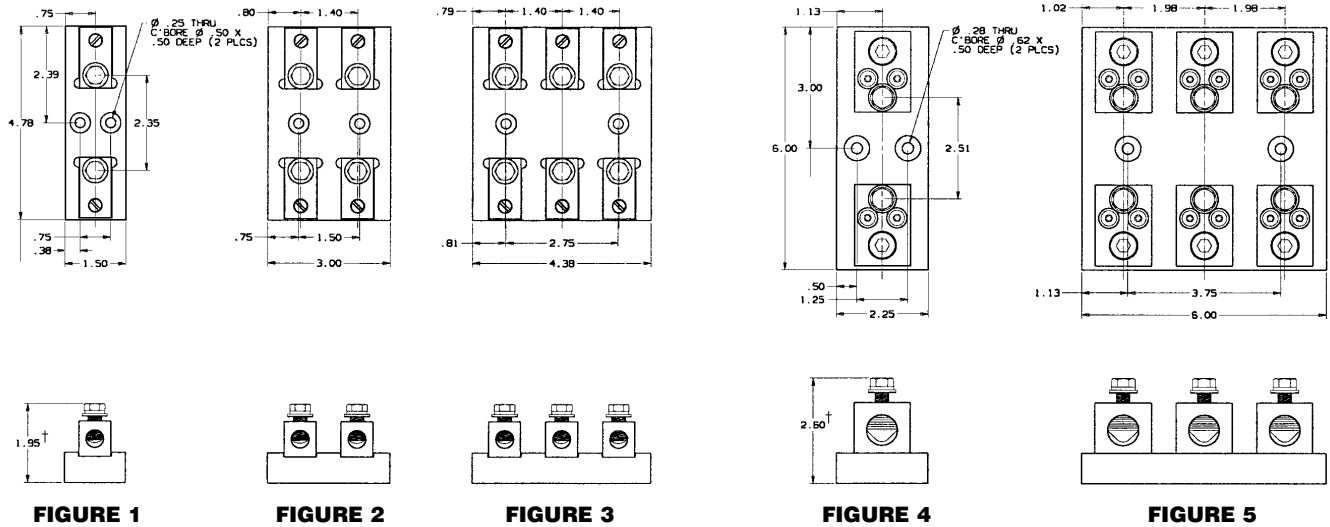
Recommended mounting screws:
30A, #10 (.190" dia.)
60A, 1/4" (.250" dia.)

Note: * Fuse blocks have copper box connectors and clips and are for copper wires only. These are specifically designed with the same coefficient of expansion as copper wire for improved heat cycling and meet or exceed OEM "no aluminum" specifications.

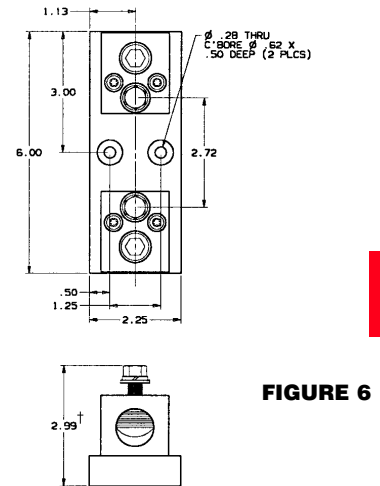
** UL Component Recognized

CLASS T

600 VOLT / FUSE BLOCKS

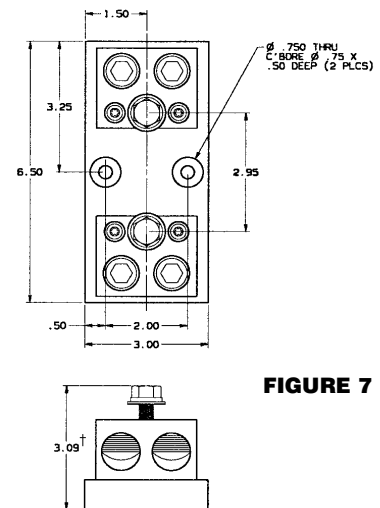


Recommended base mounting screws:
 100A & 200A, #10 (.190" dia.)
 400A & 600A, 1/4" (.250" dia.)



600 Volt, 100, 200, 400 & 600 Ampere Class T Fuse Blocks

AMPERE RATING	POLES	CONNECTOR		CATALOG NO. SPRING REINFORCED	FIG.	TORQUE (IN-LBS)	
		TYPE	WIRE RANGE			CONNECTOR	FUSE BOLT
100 PHENOLIC INSULATOR	1	BOX	Al/Cu 2/0-#6	61031T	1	120	72
	2			61032T	2		
	3			61033T	3		
200 PHENOLIC INSULATOR	1	BOX	Cu* 2/0-#12	61051T	1	50	72
	2			61052T	2		
	3			61053T	3		
400 PHENOLIC INSULATOR	1	BOX	Al/Cu 600 kcmil-#2	62031T	4	600	228
	1			62033T	5		
	3			62051T	4		
600 PHENOLIC INSULATOR	1	BOX	Cu* 600 kcmil-#2	62053T	5	375	228
	1			64031T	6		
	1			64051T	6		
600 PHENOLIC INSULATOR	1	BOX	Al/Cu (2) 600 kcmil-#2	66031T	7	600	360
	1			66051T	7		



Note: * Fuse blocks have copper box connectors and are for copper wires only. These are specifically designed with the same coefficient of expansion as copper wire for improved heat cycling and meet or exceed OEM "no aluminum" specifications.

† Note: Height includes nominal fuse blade thickness