

CLASS J

600 VOLT / FUSE BLOCKS



CLASS J FUSE BLOCKS

Ferraz Shawmut Class J Fuse Blocks accommodate all Class J fuses. A choice of screw, pressure plate, box and special order stud connectors fit a wide range of stranded or solid copper or aluminum wire. Insulators are either molded glass-filled polycarbonate (GFPC) or phenolic with verified dielectric strength in excess of 2500V. 30 and 60A fuse blocks feature a unique adder block which can be snapped onto 1-, 2- or 3-pole blocks to form multi-pole segmented blocks of as many poles as desired. All fuse clips are made of high conductivity tin-plated copper, with a choice of spring reinforced or non-spring reinforced clips in 30A and 60A. Clips 100A and above are spring reinforced.

Ratings

- 600VAC:
30A, 60A, 100A,
200A, 400A, 600A
- Withstand rating:
200kA

Approvals

- All fuse blocks meet the requirements of UL Std. 512
- UL Listed, Guide IZLT, File E52283
- CSA Certified Class 6225, File 32169

RECOMMENDED FUSE USAGE

Class J Blocks (600V)use with **AJT, A4J**

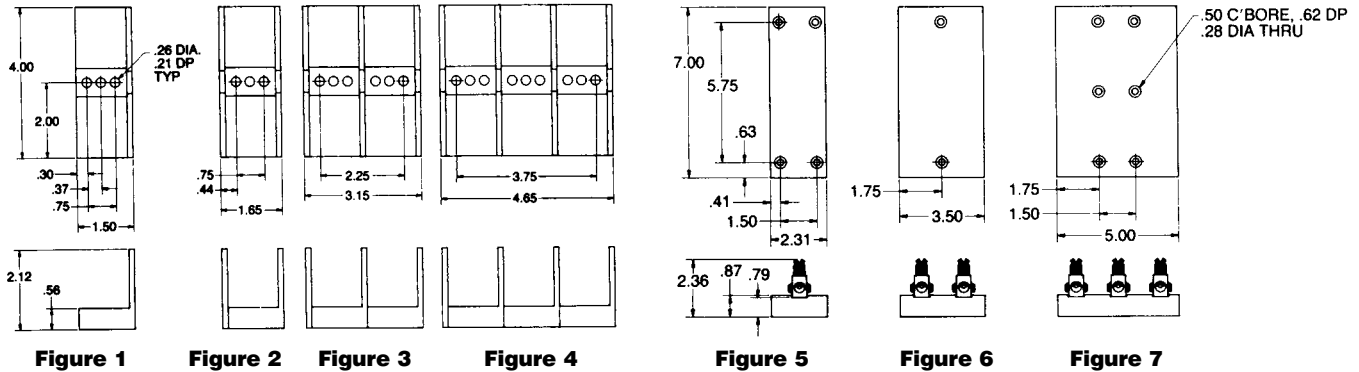


Clip & Connector Types

30 & 60A CLIPS	CONNECTORS	CONNECTORS	CONNECTORS	CONNECTORS
SPRING REINFORCED 	NON-SPRING REINFORCED: 30A & 60A BOX 	SPRING REINFORCED: 30A & 60A BOX 	SPRING REINFORCED: 100A BOX 	SPRING REINFORCED: 400A BOX IN-LINE CLIP
NON-SPRING REINFORCED 	30A SCREW 	30A SCREW 	200A BOX SIDE-CLIP 	600A BOX IN-LINE CLIP
	30A PRESSURE PLATE 	30A PRESSURE PLATE 	400A BOX SIDE-CLIP 	

CLASS J

600 VOLT / FUSE BLOCKS



30A and 100A figures are standard dimension fuse blocks. See also 30 A and 100A space-saving "SJ" Series.

Recommended mounting screws for all 30A, 60A and 100A fuse blocks: 1/4" (.250" dia.)

600 Volt, 30, 60 & 100 Ampere Class J Fuse Blocks

AMPERE RATING	POLES	CONNECTOR		CATALOG NUMBER		FIG.	CONNECTOR TORQUE In - lb
		TYPE	WIRE RANGE	TYPE OF CLIP			
				NON-SPRING REINFORCED	SPRING REINFORCED		
30 GFPC INSULATOR	ADDER 1 2 3	BOX	Al/Cu #2-14	60300J	60305J	1	35
				60301J	60306J	2	
				60302J	60307J	3	
				60303J	60308J	4	
	ADDER 1 2 3	SCREW	Cu #10-14	60310J	60315J	1	20
				60311J	60316J	2	
				60312J	60317J	3	
				60313J	60318J	4	
	ADDER 1 2 3	PRESSURE PLATE	Cu #10-14	60320J	60325J	1	20
				60321J	60326J	2	
				60322J	60327J	3	
				60323J	60328J	4	
ADDER 1 2 3	BOX	Cu* #4-14	-	60355J	1	35	
			-	60356J	2		
			-	60357J	3		
			-	60358J	4		
60 GFPC INSULATOR	ADDER 1 2 3	BOX	Al/Cu #2-14	60600J	60605J	1	45
				60601J	60606J	2	
				60602J	60607J	3	
				60603J	60608J	4	
	ADDER 1 2 3	BOX	Cu* #4-14	-	60655J	1	45
				-	60656J	2	
				-	60657J	3	
				-	60658J	4	
100 PHENOLIC INSULATOR	1 2 3	BOX	Al/Cu 2/0-#6	-	61036J	5	120
				-	61037J	6	
				-	61038J	7	
	1 2 3	BOX	Cu* 2/0-#12	-	61006J	5	50
				-	61007J	6	
				-	61008J	7	
				-	-	-	

Note: To convert 30A or 60A adder pole to single pole, use end barrier #U09617.

* Fuse blocks have copper box connectors and clips and are for copper wires only. These are specifically designed with the same coefficient of expansion as copper wire for improved heat cycling and meet or exceed OEM "no aluminum" specifications.



CLASS J

600 VOLT / FUSE BLOCKS

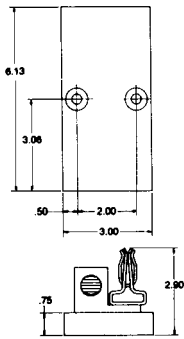


Figure 1

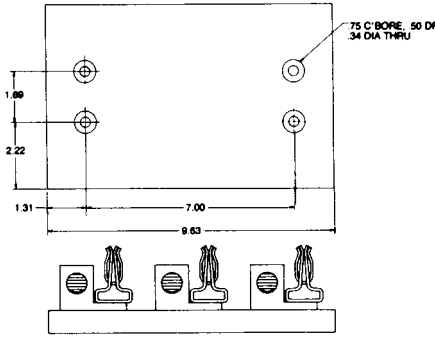


Figure 2

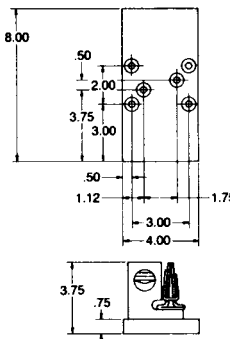


Figure 3

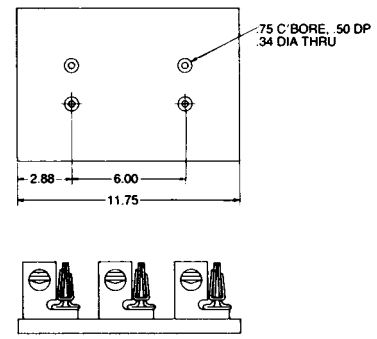


Figure 4

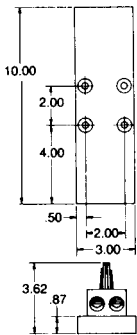


Figure 5

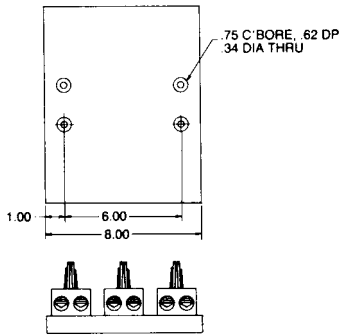


Figure 6

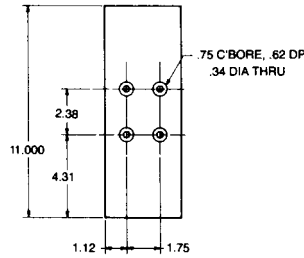


Figure 7

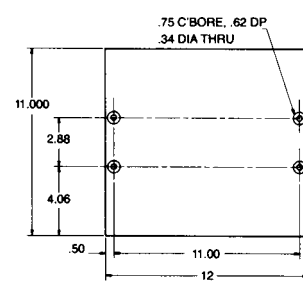


Figure 8

Recommended mounting screws:

All 200A, 400A & 600A - 5/16" (.313" dia.)

600 Volt, 200, 400 & 600 Ampere Class J Fuse Blocks

AMPERE RATING	POLES	CONNECTOR		CATALOG NO. SPRING REINFORCED	FIG.	CONNECTOR TORQUE In - lb
		TYPE	WIRE RANGE			
200 PHENOLIC INSULATOR	1	BOX	Al/Cu	62001J	1	375
	3	SIDE-CLIP	350kcmil-#6	62003J	2	
	1	BOX	Cu**	62051J	1	275
	3	SIDE-CLIP	350kcmil-#6	62053J	2	
400 PHENOLIC INSULATOR	1	BOX*	Al/Cu	64001J	3	375
	3	SIDE-CLIP	1000-250kcmil	64003J	4	
	1	BOX	Al/Cu	64031J	5	275
	3	IN-LINE CLIP	(2) 350kcmil-#4	64033J	6	
	1	BOX*	Cu**	64051J	3	375
	3	SIDE-CLIP	1000-250kcmil	64053J	4	
	1	BOX	Cu**	64061J	5	275
	3	IN-LINE CLIP	(2) 350kcmil-#6	64063J	6	
600 PHENOLIC INSULATOR	1	BOX	Al/Cu	6631J	7	500
	3	IN-LINE CLIP	(2) 500kcmil-#4	6633J	8	
	1	BOX	Cu**	6661J	7	375
	3	IN-LINE CLIP	(2) 500kcmil-#4	6663J	8	

* Not UL Listed or CSA Certified

** Fuse blocks have copper box connectors and clips and are for copper wires only. These are specifically designed with the same coefficient of expansion as copper wire for improved heat cycling and meet or exceed OEM "no aluminum" specifications.