

CLASS H, K & R

250 & 600 VOLT / FUSE BLOCKS



CLASS H, K AND R FUSE BLOCKS

Ferraz Shawmut Class H, K and R Fuse Blocks accommodate all Class H, K and R 250 and 600V power fuses. A choice of screw, pressure plate, box and special order stud connectors fit a wide range of stranded or solid copper or aluminum wire. Insulators are either molded glass-filled polycarbonate (GFPC) or phenolic with verified dielectric strength in excess of 2500V. 30, 60 and 100A fuse blocks feature a unique adder block which can be snapped onto 1-, 2- or 3-pole blocks to form multi-pole segmented blocks of as many poles as desired. All fuse clips are made of high conductivity tin-plated copper, with a choice of spring reinforced or non-spring reinforced clips in 30A and 60A. Clips 100A and above are spring reinforced.

RECOMMENDED FUSE USAGE

Class R Blocks (250V)use with **A2D-R, A2K-R, TR-R**
Class R Blocks (600V)use with **A6D-R, A6K-R, TRS-R**
Class H & K Blocks (250V)use with **OT, RF, A2Y types 1 & 3**
OTN, CRN, NRN

Class H & K Blocks (600V)use with **OTS, RFS, A6Y types 1 & 3**
CRS, NRS

Ratings

- 250VAC:
30A, 60A, 100A,
200A, 400A, 600A
- 600VAC:
30A, 60A, 100A,
200A, 400A, 600A
- Withstand ratings:
250 & 600VAC
w/class H fuses - 10kA
w/class K fuses - 50kA
w/class R fuses - 200kA

Approvals

- All fuse blocks meet the requirements of UL Std. 512
- UL Listed, Guide IZLT, File E52283
- UL Recognized Component Guide IZLT2, File E52283
- CSA Certified Class 6225, File 32169



Clip & Connector Types

30A & 60A CLIPS	CONNECTORS	CONNECTORS	CONNECTORS	CONNECTORS
SPRING REINFORCED: CLASS R 	NON-SPRING REINFORCED: 30A & 60A BOX 	SPRING REINFORCED: 30A & 60A BOX 	SPRING REINFORCED: 100A BOX 	SPRING REINFORCED: 400A BOX IN-LINE CLIP
CLASS H & K 	30A SCREW 	30A SCREW (R) 	200A BOX SIDE-CLIP 	600A BOX IN-LINE CLIP
NON-SPRING REINFORCED 	30A PRESSURE PLATE 	30A PRESSURE PLATE 	400A BOX SIDE-CLIP 	

CLASS H, K & R

250 VOLT / FUSE BLOCKS

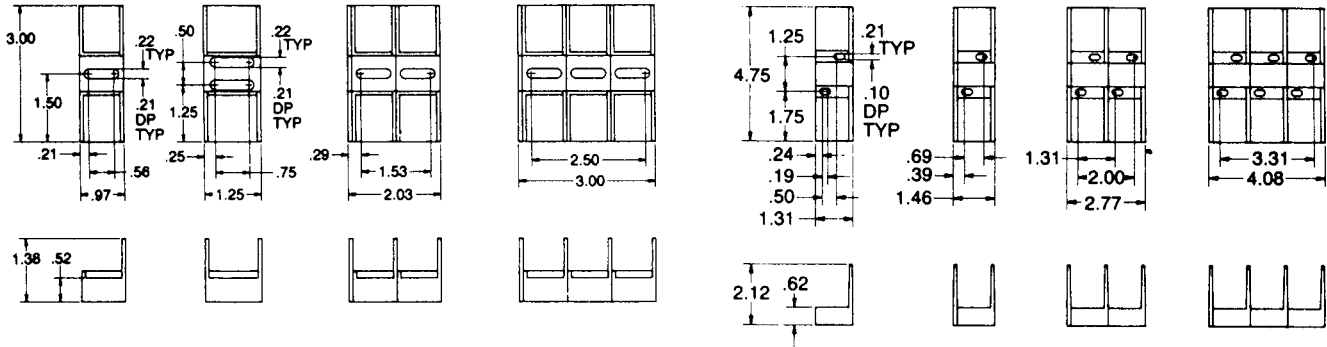


Figure 1

Figure 2

Figure 3

Figure 4

Figure 5

Figure 6

Figure 7

Figure 8

Recommended mounting screws for all 30A and 60A fuse blocks: #10 (.190" dia.)

250 Volt, 30 & 60 Ampere Class H, K and R Fuse Blocks

AMPERE RATING	POLES	CONNECTOR		CATALOG NUMBER			FIG.	CONNECTOR TORQUE In - lb
				TYPE OF CLIP				
		TYPE	WIRE RANGE	CLASS H & K NON-SPRING REINFORCED	CLASS H & K SPRING REINFORCED	CLASS R SPRING REINFORCED		
30 GFPC INSULATOR	ADDER 1 2 3	BOX	Al/Cu #2-14	20300	20305	20305R	1	35
				20301*	20306*	20306R*	2	
				20302	20307	20307R	3	
				20303	20308	20308R	4	
	ADDER 1 2 3	SCREW	Cu #10-14	20310	20315	20315R	1	20
				20311*	20316*	20316R*	2	
				20312	20317	20317R	3	
				20313	20318	20318R	4	
	ADDER 1 2 3	PRESSURE PLATE	Cu #10-14	20320	20325	20325R	1	20
				20321*	20326*	20326R*	2	
				20322	20327	20327R	3	
				20323	20328	20328R	4	
ADDER 1 2 3	BOX	Cu** #4-14	-	20355	20355R	1	35	
			-	20356*	20356R*	2		
			-	20357	20357R	3		
			-	20358	20358R	4		
60 GFPC INSULATOR	ADDER 1 2 3	BOX	Al/Cu #2-14	20600	20605	20605R	5	45
				20601	20606	20606R	6	
				20602	20607	20607R	7	
				20603	20608	20608R	8	
	ADDER 1 2 3	BOX	Cu** #4-14	-	20655	20655R	5	45
				-	20656	20656R	6	
				-	20657	20657R	7	
				-	20658	20658R	8	



Note: To convert 30A adder pole to single pole, use end barrier #U09322. To convert 60A adder pole to single pole, use end barrier #U09365.

* 1-pole, 30A block does not accept adder pole.

** Fuse blocks have copper box connectors and clips and are for copper wires only. These are specifically designed with the same coefficient of expansion as copper wire for improved heat cycling and meet or exceed OEM "no aluminum" specifications.

CLASS H, K & R

250 VOLT / FUSE BLOCKS

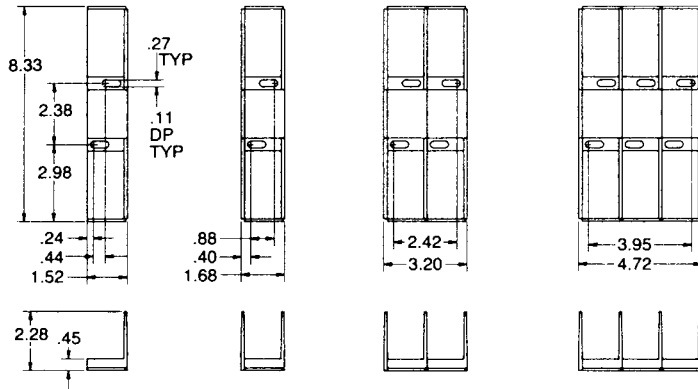


Figure 1

Figure 2

Figure 3

Figure 4

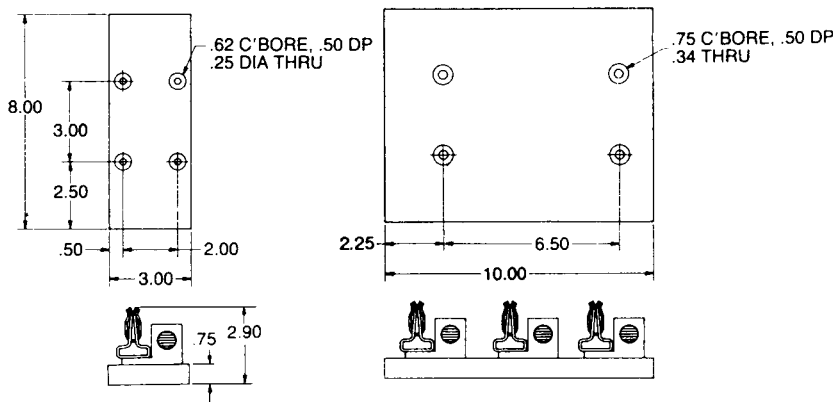


Figure 5

Figure 6

Recommended mounting screws:
 All 100A-1/4" (.250" dia.)
 200A, 1-pole - #10 (.190" dia.)
 200A, 3-pole - 5/16" (.313" dia.)

250 Volt, 100 & 200 Ampere Class H, K and R Fuse Blocks

AMPERE RATING	POLES	CONNECTOR		CATALOG NUMBER		FIG.	CONNECTOR TORQUE In - lb
				TYPE OF CLIP			
		TYPE	WIRE RANGE	CLASS H & K SPRING REINFORCED	CLASS R SPRING REINFORCED		
100 GFPC INSULATOR	ADDER 1 2 3	BOX	Al/Cu 2/0-#6	21035	21035R	1	120
				21036	21036R		
				21037	21037R		
				21038	21038R		
	ADDER 1 2 3	BOX	Cu* 2/0-#12	21005	21005R	1	50
				21006	21006R		
21007				21007R			
21008				21008R			
200 PHENOLIC INSULATOR	1 3	BOX SIDE-CLIP	AL/Cu 350kcmil-#6	22001	22001R	5	375
				22003	22003R		
	1 3	BOX SIDE-CLIP	Cu* 350kcmil-#6	22051	22051R	5	275
				22053	22053R		

Note: To convert 100A adder pole to single pole, use end barrier #U09363.

* Fuse blocks have copper box connectors and clips and are for copper wires only. These are specifically designed with the same coefficient of expansion as copper wire for improved heat cycling and meet or exceed OEM "no aluminum" specifications.

CLASS H, K & R

250 VOLT / FUSE BLOCKS

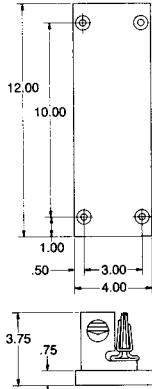


Figure 1

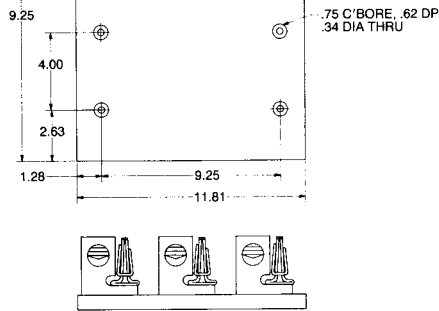


Figure 2

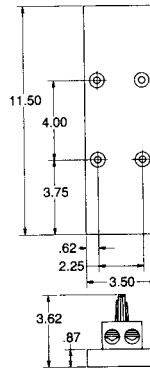


Figure 3

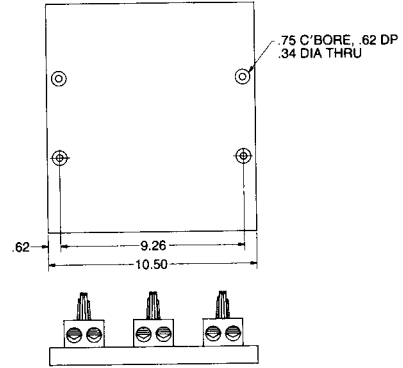


Figure 4

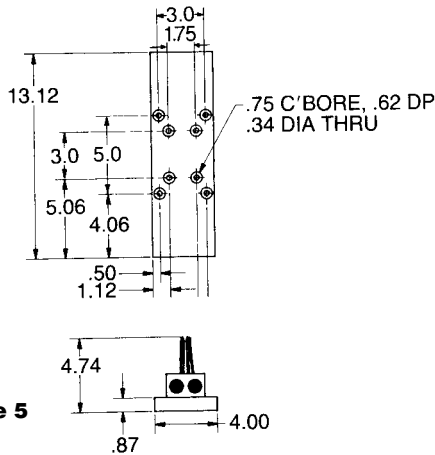


Figure 5

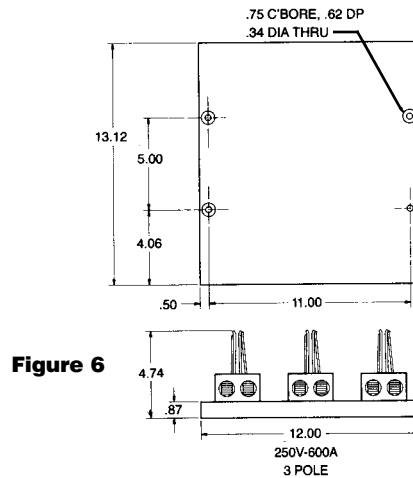


Figure 6

250 Volt, 400 & 600 Ampere Class H, K and R Fuse Blocks

AMPERE RATING	POLES	CONNECTOR		CATALOG NUMBER		FIG.	CONNECTOR TORQUE In - lb
				TYPE OF CLIP			
		TYPE	WIRE RANGE	CLASS H & K SPRING REINFORCED	CLASS R SPRING REINFORCED		
400 PHENOLIC INSULATOR	1	BOX*	Al/Cu	24001	24001R	1	375
	3	SIDE-CLIP	1000-250kcmil	24003	24003R	2	
	1	BOX*	Cu**	24051	24051R	1	375
	3	SIDE-CLIP	1000-250kcmil	24053	24053R	2	
600 PHENOLIC INSULATOR	1	BOX	Al/Cu	24031	24031R	3	275
	3	IN-LINE CLIP	(2) 350kcmil-#4	24033	24033R	4	
	1	BOX	Cu**	24061	24061R	3	275
	3	IN-LINE CLIP	(2) 350kcmil-#6	24063	24063R	4	
600 PHENOLIC INSULATOR	1	BOX	Al/Cu	2631	2631R	5	500
	3	IN-LINE CLIP	(2) 500kcmil-#4	2633	2633R	6	
600 PHENOLIC INSULATOR	1	BOX	Cu**	2661	2661R	5	375
	3	IN-LINE CLIP	(2) 500kcmil-#4	2663	2663R	6	

Recommended mounting screws for all 400A and 600A fuse blocks: 5/16 (.313" dia.)

* Not UL Listed or CSA Certified

** Fuse blocks have copper box connectors and clips and are for copper wires only. These are specifically designed with the same coefficient of expansion as copper wire for improved heat cycling and meet or exceed OEM "no aluminum" specifications.



CLASS H, K & R

600 VOLT / FUSE BLOCKS

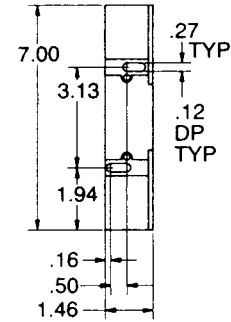


Figure 1

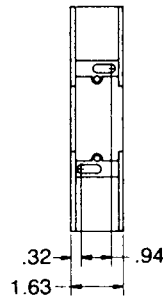


Figure 2

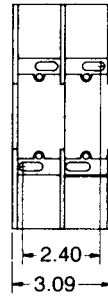


Figure 3

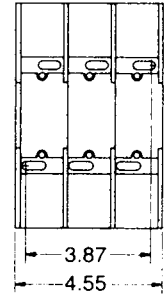
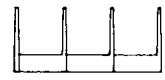
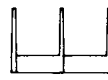
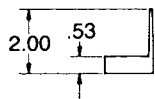


Figure 4



Recommended mounting screws for all 30A and 60A fuse blocks: 1/4" (.250" dia.)

600 Volt, 30 & 60 Ampere Class H, K and R Fuse Blocks

AMPERE RATING	POLES	CONNECTOR		CATALOG NUMBER			FIG.	CONNECTOR TORQUE In - lb
				TYPE OF CLIP				
		TYPE	WIRE RANGE	CLASS H & K NON-SPRING REINFORCED	CLASS H & K SPRING REINFORCED	CLASS R SPRING REINFORCED		
30 GFPC INSULATOR	ADDER 1 2 3	BOX	Al/Cu #2-14	60300	60305	60305R	1	35
				60301	60306	60306R	2	
				60302	60307	60307R	3	
				60303	60308	60308R	4	
	ADDER 1 2 3	SCREW	Cu #10-14	60310	60315	60315R	1	20
				60311	60316	60316R	2	
				60312	60317	60317R	3	
				60313	60318	60318R	4	
	ADDER 1 2 3	PRESSURE PLATE	Cu #10-14	60320	60325	60325R	1	20
				60321	60326	60326R	2	
				60322	60327	60327R	3	
				60323	60328	60328R	4	
ADDER 1 2 3	BOX	Cu* #4-14	-	60355	60355R	1	35	
			-	60356	60356R	2		
			-	60357	60357R	3		
			-	60358	60358R	4		
60 GFPC INSULATOR	ADDER 1 2 3	BOX	Al/Cu #2-14	60600	60605	60605R	1	45
				60601	60606	60606R	2	
				60602	60607	60607R	3	
				60603	60608	60608R	4	
	ADDER 1 2 3	BOX	Cu* #4-14	-	60655	60655R	1	45
				-	60656	60656R	2	
				-	60657	60657R	3	
				-	60658	60658R	4	

Note: To convert 30A or 60A adder pole to single pole, use end barrier #U09361.

* Fuse blocks have copper box connectors and clips and are for copper wires only. These are specifically designed with the same coefficient of expansion as copper wire for improved heat cycling and meet or exceed OEM "no aluminum" specifications.

CLASS H, K & R

600 VOLT / FUSE BLOCKS

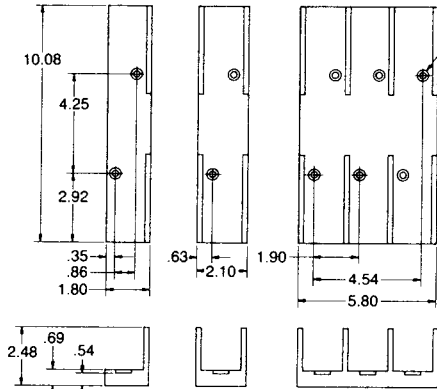


Figure 1

Figure 2

Figure 3

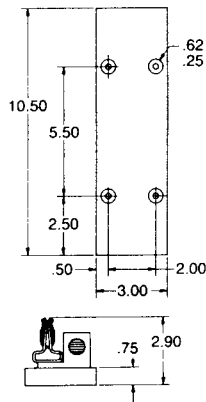


Figure 4

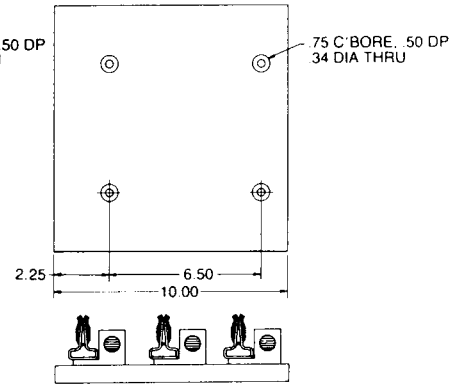


Figure 5

Recommended mounting screws:
 All 100A-1/4" (.250" dia.)
 200A, 1-pole - #10 (.190" dia.)
 200A, 3-pole - 5/16" (.313" dia.)

600 Volt, 100 & 200 Ampere Class H, K and R Fuse Blocks

AMPERE RATING	POLES	CONNECTOR		CATALOG NUMBER		FIG.	CONNECTOR TORQUE In - lb
				TYPE OF CLIP			
		TYPE	WIRE RANGE	CLASS H & K SPRING REINFORCED	CLASS R SPRING REINFORCED		
100 PHENOLIC INSULATOR	ADDER 1 3	BOX	Al/Cu 2/0-#6	61035	61035R	1	120
				61036	61036R	2	
				61038	61038R	3	
	ADDER 1 3	BOX	Cu* 2/0-#12	61005	61005R	1	
				61006	61006R	2	
				61008	61008R	3	
200 PHENOLIC INSULATOR	1 3	BOX SIDE-CLIP	Al/Cu 350kcmil-#6	62001	62001R	4	375
				62003	62003R	5	
				62051	62051R	4	
	1 3	BOX SIDE-CLIP	Cu* 350kcmil-#6	62053	62053R	5	275
				62051	62051R	4	
				62053	62053R	5	

Note: Adder poles can only be added to other fuse blocks. There is no end barrier to convert them to single pole fuse blocks.
 * Fuse blocks have copper box connectors and clips and are for copper wires only. These are specifically designed with the same coefficient of expansion as copper wire for improved heat cycling and meet or exceed OEM "no aluminum" specifications.



CLASS H, K & R

600 VOLT / FUSE BLOCKS

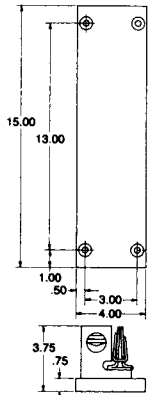


Figure 1

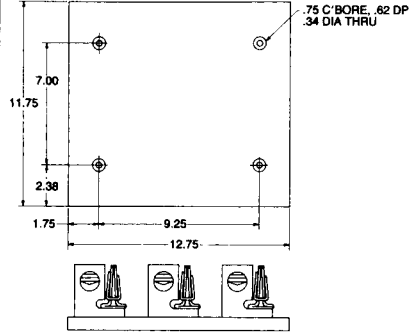


Figure 2

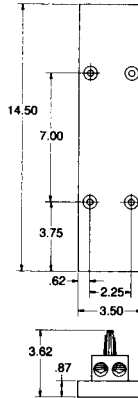


Figure 3

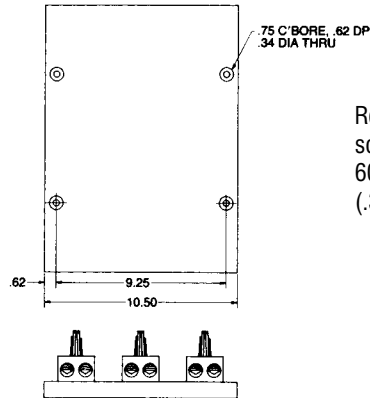


Figure 4

Recommended mounting screws for all 400A and 600A fuse blocks: 5/16 (.313" dia.)

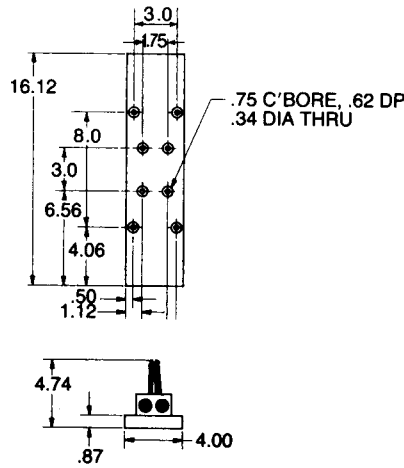


Figure 5

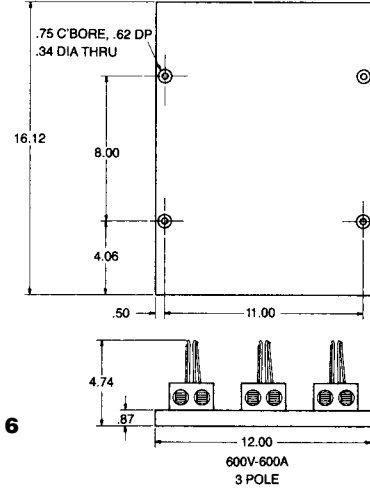


Figure 6

600 Volt, 400 & 600 Ampere Class H, K and R Fuse Blocks

AMPERE RATING	POLES	CONNECTOR		CATALOG NUMBER		FIG.	CONNECTOR TORQUE In - lb
				TYPE OF CLIP			
		TYPE	WIRE RANGE	CLASS H & K SPRING REINFORCED	CLASS R SPRING REINFORCED		
400 PHENOLIC INSULATOR	1	BOX*	Al/Cu	64001	64001R	1	375
	3	SIDE-CLIP	1000-250kcmil	64003	64003R	2	
	1	BOX*	Cu**	64051	64051R	1	375
	3	SIDE-CLIP	1000-250kcmil	64053	64053R	2	
600 PHENOLIC INSULATOR	1	BOX	Al/Cu	6631	6631R	5	500
	3	IN-LINE CLIP	(2) 500kcmil-#4	6633	6633R	6	
	1	BOX	Cu**	6661	6661R	5	375
	3	IN-LINE CLIP	(2) 500kcmil-#4	6663	6663R	6	

* Not UL Listed or CSA Certified

** Fuse blocks have copper box connectors and clips and are for copper wires only. These are specifically designed with the same coefficient of expansion as copper wire for improved heat cycling and meet or exceed OEM "no aluminum" specifications.