

BRITISH STANDARD



URE/URGS/URZ

SEMICONDUCTOR PROTECTION FUSES



PROTISTOR® FUSES

250V AC

URE/URGS/URZ from 5 up to 180A

SIZES: 10 X 28 - 17 X 27

Features/Benefits

- **Extremely high Interrupting rating Fuses:**
Protection of power Semiconductors according to IEC 269.1 and 4
- **250V Voltage Rating** according to IEC 33
- **gR Class** (Ratings from 5 to 32A) according to VDE 636-23 and IEC 269.4
- Model according to NF C 63210 and 63211 with built-in blown trip-indicator
- 17X27 are UL Recognized



APPLICATIONS DATA

Voltage rating U_N (V)	Size	Class	Current rating I_N (A)	Melting I^2t @ 1 ms I^2t_p (A ² s)	Total clearing I^2t @ U_N A ² s		Watt losses		Tested interrupting rating	
					$I_p \leq 30 I_N$	$I_p > 30 I_N$	$0.8 I_N$	I_N		
250 V	10x28	URE	5	1.3	10	11	0.6	1	160 kA @ 250 V	
			6	1.8	13	15	0.7	1.2		
			10	2.4	18	20	1.2	2.1		
			12	4.3	28	33	1.6	2.8		
			15	6.7	41	48	2.0	3.5		
			20	15.0	85	100	2.2	4.0		
			25	27.0	135	160	2.6	4.7		
			32	53.0	240	280	3.0	5.4		
	17x27	URGS	7	1.3	8,5	9,8	0.56	1	160 kA @ 250 V	
			10	4.5	21	23,8	0.84	1.5		
			12	5.9	27	31	1.1	2.0		
			16	11.2	50	59	1.7	3.0		
			20	15.6	80	100	2.2	3.9		
			25	30.0	130	160	2.7	4.8		
			30	45.0	195	235	3.2	5.6		
			35	63.0	270	330	3.7	6.5		
		50	180.0	790	940	4.9	8.8			
		60	250.0	1100	1310	5.8	10.4			
		75	380.0	1670	1990	7.2	13.6			
		80	480.0	2100	2530	7.25	13.7			
		URZ	100	730.0	3350	4060	6.5	11.5		160 kA @ 250 V
			125	850.0	5720	6920	6.7	12.3		
			150	1250.0	7930	9590	7.4	13.6		
			160	1730.0	9600	11700	8.8	15.6		
180	2090.0		14500	17500	9.5	17				

BRITISH STANDARD

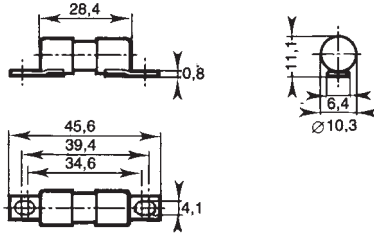


URE/URGS/URZ

SEMICONDUCTOR PROTECTION FUSES

PART NUMBERS

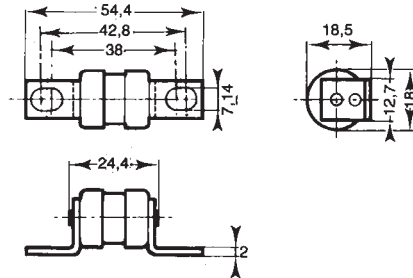
CP 10x28 - Without trip-indicator



SIZE	CATALOG NO.	REF #
10x28	2.5 URE 10/5	M 082489
	2.5 URE 10/6	E 097478
	2.5 URE 10/10	L 082488
	2.5 URE 10/12	P 097487
	2.5 URE 10/15	K 082487
	2.5 URE 10/20	J 082486
	2.5 URE 10/25	X 097494
	2.5 URE 10/32	N 081984

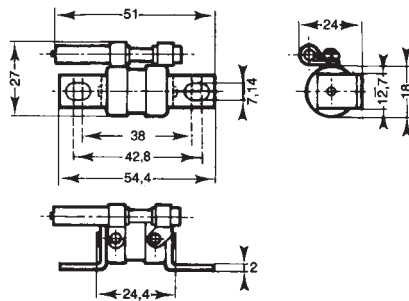


CP 17x27 - Without trip-indicator



SIZE	CATALOG NO.	REF #
17x27	2.5 URGS 17/7	M 076647
	2.5 URGS 17/10	N 076648
	2.5 URGS 17/12	P 076649
	2.5 URGS 17/16	Q 076650
	2.5 URGS 17/20	L 097507
	2.5 URGS 17/25	R 076651
	2.5 URGS 17/30	S 076652
	2.5 URGS 17/35	T 076653
	2.5 URGS 17/50	V 076654
	2.5 URGS 17/60	W 076655
	2.5 URGS 17/75	X 076656
	2.5 URGS 17/80	Z 085559
	2.5 URZ 17/100	Y 085558
	2.5 URZ 17/125	G 097526
	2.5 URZ 17/150	W 085556
	2.5 URZ 17/160	F 097527
2.5 URZ 17/180	N 097532	

CP 17x27 - With separated trip-indicator



SIZE	CATALOG NO.	REF #
17x27	2.5 URGS 17 P 7	P 097533
	2.5 URGS 17 P 10	Q 097534
	2.5 URGS 17 P 12	S 097536
	2.5 URGS 17 P 16	X 097540
	2.5 URGS 17 P 20	B 097544
	2.5 URGS 17 P 25	D 097546
	2.5 URGS 17 P 30	E 097547
	2.5 URGS 17 P 35	F 097548
	2.5 URGS 17 P 50	J 097551
	2.5 URGS 17 P 60	H 081082
	2.5 URGS 17 P 75	K 097552
	2.5 URGS 17 P 80	L 097553
	2.5 URZ 17 P 100	P 097556
	2.5 URZ 17 P 125	Q 097557
	2.5 URZ 17 P 150	R 097558
	2.5 URZ 17 P 160	S 097559
2.5 URZ 17 P 180	T 097560	

Microswitch MC 6.3 GR 2.5N