

# CL-14 SERIES E-RATED / MEDIUM VOLTAGE FUSES



## HIGHLIGHTS:

- E-Rated
- UL Listed 5.5kV
- Complies with ANSI C37.46



## DEFINITIONS:

### E-rating

E-rated fuses operate as follows:  
 100E or less - must melt in 300 seconds (5 mins.) at 200 to 240% of E (ampere) rating.  
 Over 100E - must melt in 600 seconds (10 mins.) at 220 to 264% of E (ampere) rating.  
 Example - A 100E fuse must melt in 300 seconds with an applied current of 200 to 240 amperes.

### General Purpose Current-Limiting Fuse

A general purpose current-limiting power fuse is one that is capable of interrupting all currents from its rated interrupting rating down to the current that causes melting of the fusible element in one hour.

## APPLICATIONS:

- Protection for 5.5kV or 15.5kV transformers or distribution systems

## 5kV AND 15kV CLIP-LOCK MOUNTED FUSES

Amp-trap CL-14 E-rated 5kV and 15kV fuses have 3" diameter barrels and mount in unique cam-locking clips, for superior connections as well as easy installation and replacement. They are UL listed as "general purpose current-limiting fuses" and are for use indoors (or outdoors in a weatherproof enclosure). The unique time-current characteristic of Ferraz Shawmut E-rated fuses allows them to be closely sized to transformer full load rated current, as recommended by IEEE guidelines, without being affected by normal magnetizing inrush current. CL-14 fuses are typically sized at transformer rated current of 133%, thereby providing superior overall protection.

## Features/Benefits

- **UL Listed** for compatibility with UL listed equipment
- **Clip-Lock mounting** for reliable high integrity connection into circuit
- **Current limiting** for superior equipment protection
- **Blown-fuse indicator** gives positive identification of open fuse
- **Non-venting** for silent operation
- **Metal Embossed Catalog Number** and manufacturing date for lasting identification

## Ratings

- **A055C**  
**AC:** 10E to 600E  
 5.5kV, 63kA I.R. Sym.
- **A155C**  
**AC:** 10E TO 300E  
 15.5kV, 50kA I.R. Sym

## Approvals

- UL Listed to JEEG, "Fuses Over 600 Volts"  
 UL File # E143362

## Clip-Lock Clips for CL-14 Fuses:

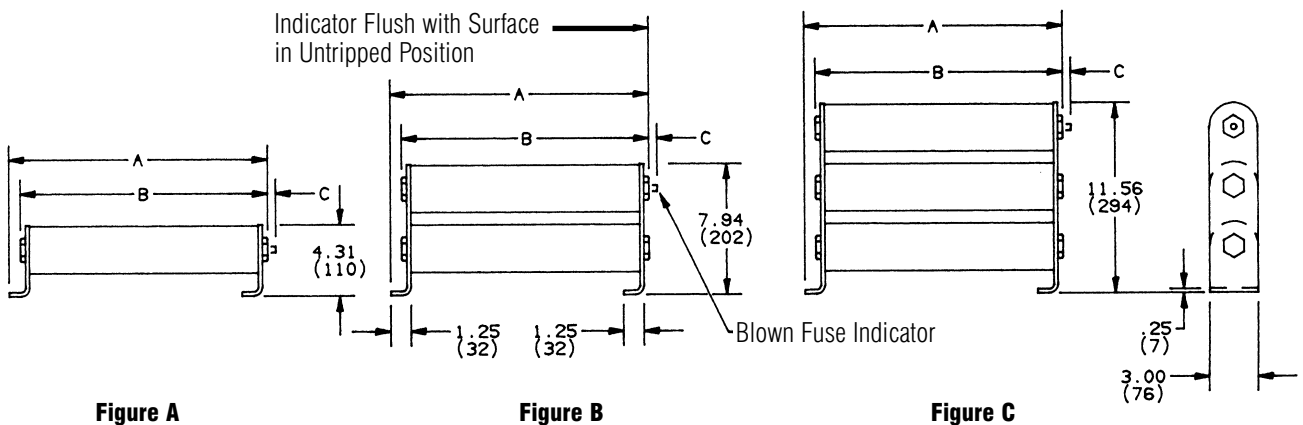
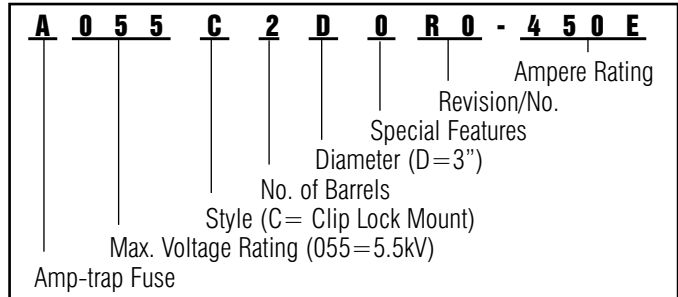
228-700-520 (One pair of clips)

# CL-14

## E-RATED / MEDIUM VOLTAGE FUSES / A055C

### 5.5kV Clip-Lock Mounted

#### Catalog Numbering System



#### Catalog Numbers, Ratings, Dimensions, CL-14 Series, 5.5kV

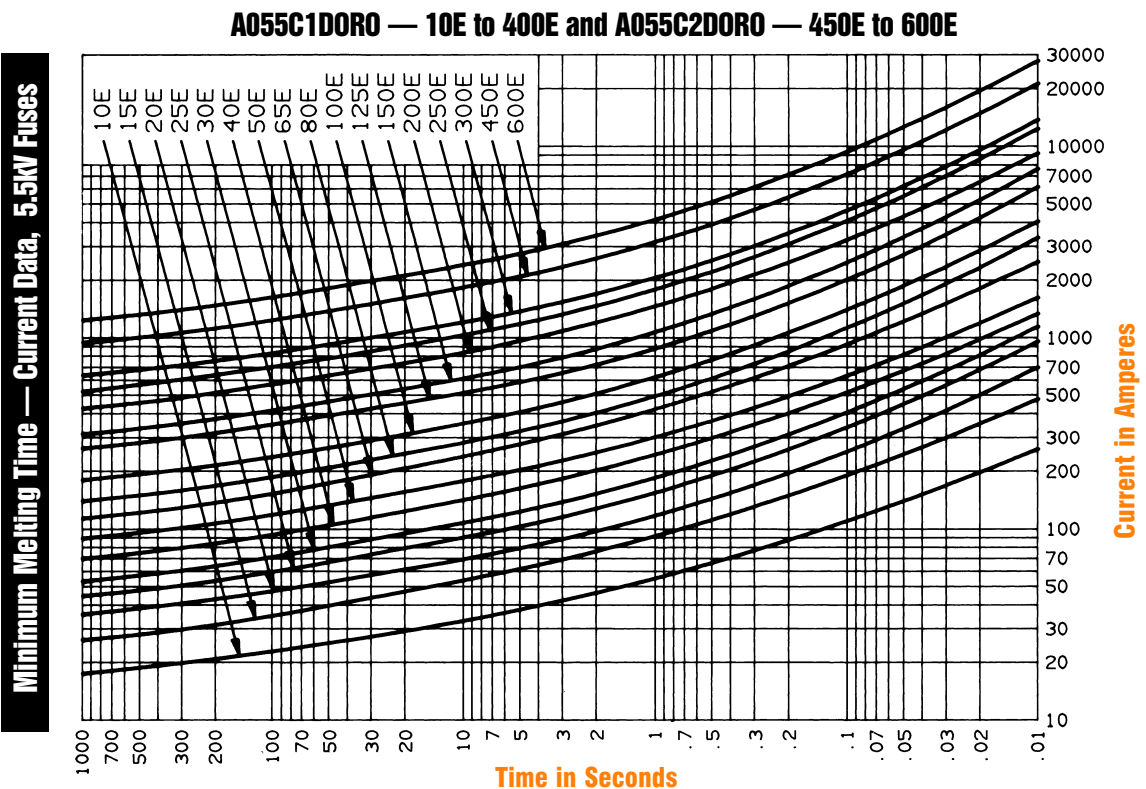
| NEW CATALOG NUMBER  | OLD CATALOG NUMBER | AMPERE RATING | NUMBER OF BARRELS | FIG. | DIMENSIONS Inches (mm) |             |                               | INTERRUPTING RATING RMS SYM.* AMPERES |
|---|--------------------|---------------|-------------------|------|------------------------|-------------|-------------------------------|---------------------------------------|
|   |                    |               |                   |      | A                      | B           | C                             |                                       |
| <b>5.5kV Max. — Clip-Lock Style — 15.25 (387mm) Clip Centers — 3 (76.2mm) Barrel Diameter</b> |                    |               |                   |      |                        |             |                               |                                       |
| A055C1D0R0-10E  | 225-007-937        | 10E           | 1                 | A    | 16.81 (427)            | 16.12 (410) | 0.5 (13) Tripped Force 2 lbs. | 63,000                                |
| A055C1D0R0-15E  | 225-007-938        | 15E           |                   |      |                        |             |                               |                                       |
| A055C1D0R0-20E  | 225-007-939        | 20E           |                   |      |                        |             |                               |                                       |
| A055C1D0R0-25E  | 225-007-940        | 25E           |                   |      |                        |             |                               |                                       |
| A055C1D0R0-30E  | 225-007-941        | 30E           |                   |      |                        |             |                               |                                       |
| A055C1D0R0-40E  | 225-007-942        | 40E           |                   |      |                        |             |                               |                                       |
| A055C1D0R0-50E  | 225-007-943        | 50E           |                   |      |                        |             |                               |                                       |
| A055C1D0R0-65E  | 225-007-944        | 65E           |                   |      |                        |             |                               |                                       |
| A055C1D0R0-80E  | 225-007-945        | 80E           |                   |      |                        |             |                               |                                       |
| A055C1D0R0-100E   | 225-007-946        | 100E          |                   |      |                        |             |                               |                                       |
| A055C1D0R0-125E   | 225-007-947        | 125E          | 2                 | B    | 22.81 (580)            | 22.12 (562) | 0.5 (13) Tripped Force 2 lbs. | 63,000                                |
| A055C2D0R0-150E   | 225-007-948        | 150E          |                   |      |                        |             |                               |                                       |
| <b>5.5kV Max. — Clip Lock Style — 21.25 (540mm) Clip Centers — 3 (76.2mm) Barrel Diameter</b> |                    |               |                   |      |                        |             |                               |                                       |
| A055C1D0R0-200E   | 225-007-949        | 200E          | 1                 | A    | 22.81 (580)            | 22.12 (562) | 0.5 (13) Tripped Force 2 lbs. | 63,000                                |
| A055C1D0R0-250E   | 225-007-950        | 250E          |                   |      |                        |             |                               |                                       |
| A055C1D0R0-300E   | 225-007-951        | 300E          |                   |      |                        |             |                               |                                       |
| A055C1D0R0-400E   | 225-007-952        | 400E          |                   |      |                        |             |                               |                                       |
| A055C2D0R0-450E   | 225-007-953        | 450E          | 2                 | B    | 22.81 (580)            | 22.12 (562) | 0.5 (13) Tripped Force 2 lbs. | 63,000                                |
| A055C2D0R0-500E   | 225-007-954        | 500E          |                   |      |                        |             |                               |                                       |
| A055C2D0R0-600E   | 225-007-955        | 600E          |                   |      |                        |             |                               |                                       |

\* RMS ASYM. AMPERES = RMS SYM. AMPERES x 1.6

# CL-14

## E-RATED / MEDIUM VOLTAGE FUSES / A055C

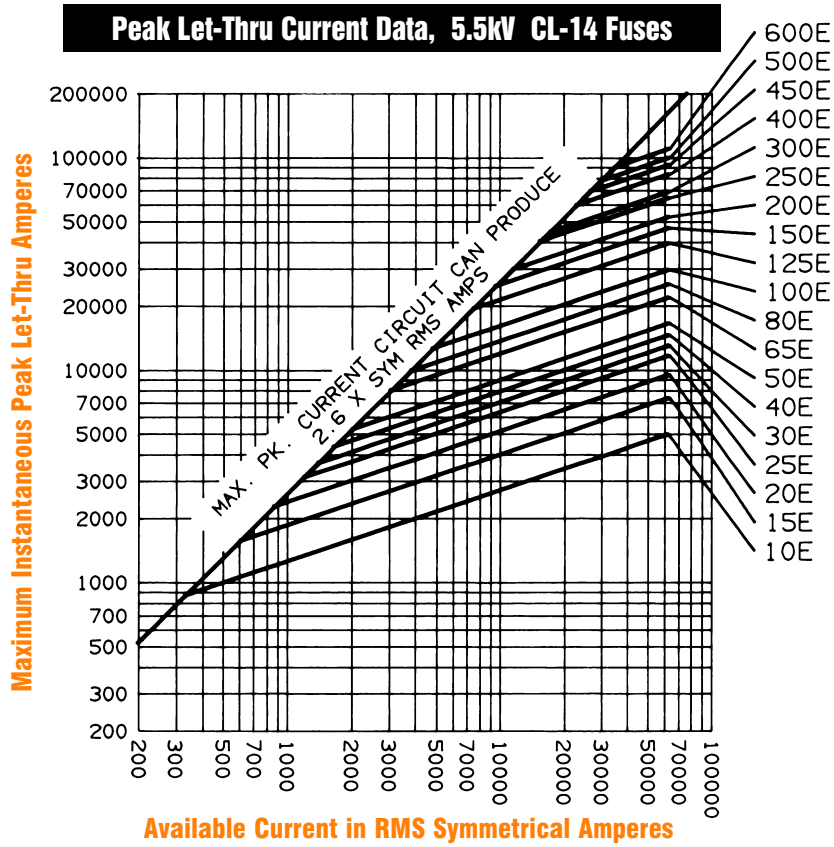
A055C1DORO — 10E to 400E and A055C2DORO — 450E to 600E



# CL-14

## E-RATED / MEDIUM VOLTAGE FUSES / A055C

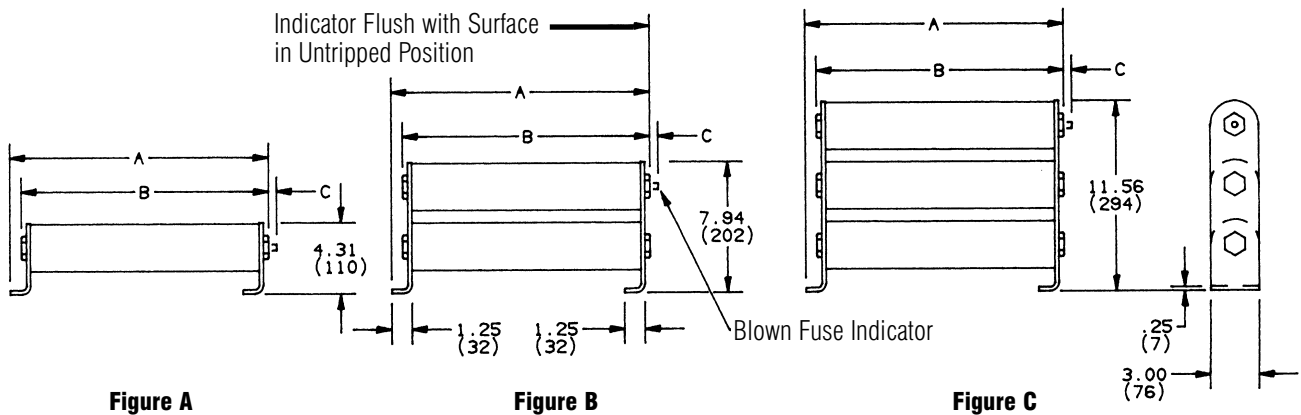
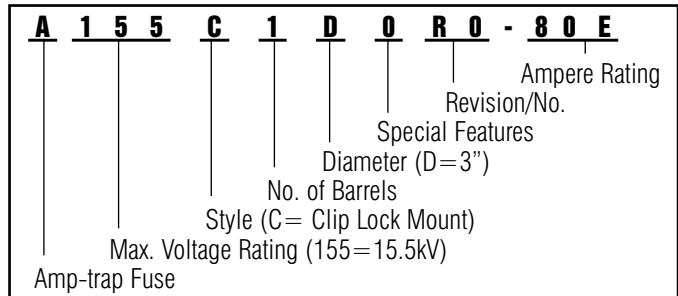
A055C1D0R0 — 10E to 400E and A055C2D0R0 — 450E to 600E



# CL-14 E-RATED / MEDIUM VOLTAGE FUSES / A155C

## 15.5kV Clip-Lock Mounted

### Catalog Numbering System



### Catalog Numbers, Ratings, Dimensions, CL-14 Series, 15.5kV

| NEW CATALOG NUMBER   | OLD CATALOG NUMBER | AMPERE RATING | NUMBER OF BARRELS | FIG. | DIMENSIONS Inches (mm) |             |                     | INTERRUPTING RATING RMS SYM.* AMPERES |
|--|--------------------|---------------|-------------------|------|------------------------|-------------|---------------------|---------------------------------------|
|  |                    |               |                   |      | A                      | B           | C                   |                                       |
| <b>15.5kV Max. — Clip-Lock Style — 18.25" (464mm) Clip Centers — 3" (76.2mm) Barrel Diameter</b> |                    |               |                   |      |                        |             |                     |                                       |
| A155C1D0R0-10E   | 225-007-967        | 10E           | 1                 | A    | 19.81 (504)            | 19.12 (486) | 0.5 (13)            | 50,000                                |
| A155C1D0R0-15E   | 225-007-968        | 15E           |                   |      |                        |             |                     |                                       |
| A155C1D0R0-20E   | 225-007-969        | 20E           |                   |      |                        |             |                     |                                       |
| A155C1D0R0-25E   | 225-007-970        | 25E           |                   |      |                        |             |                     |                                       |
| A155C1D0R0-30E   | 225-007-971        | 30E           |                   |      |                        |             |                     |                                       |
| A155C1D0R0-40E   | 225-007-972        | 40E           |                   |      |                        |             |                     |                                       |
| A155C1D0R0-50E   | 225-007-973        | 50E           |                   |      |                        |             |                     |                                       |
| <b>15.5kV Max. — Clip-Lock Style — 21.25 (540mm) Clip Centers — 3 (76.2mm) Barrel Diameter</b>   |                    |               |                   |      |                        |             |                     |                                       |
| A155C1D0R0-65E   | 225-007-974        | 65E           | 1                 | A    | 22.81 (580)            | 22.12 (562) | 0.5 (13)            | 50,000                                |
| A155C1D0R0-80E   | 225-007-975        | 80E           |                   |      |                        |             |                     |                                       |
| A155C1D0R0-100E  | 225-007-976        | 100E          |                   |      |                        |             |                     |                                       |
| A155C2D0R0-125E  | 225-007-977        | 125E          | 2                 | B    | 22.81 (580)            | 22.12 (562) | Tripped Force 2 lbs | 50,000                                |
| A155C3D0R0-150E  | 225-007-978        | 150E          | 3                 | C    |                        |             |                     |                                       |
| A155C3D0R0-200E  | 225-007-979        | 200E          |                   |      |                        |             |                     |                                       |
| A155C3D0R0-250E  | 225-007-980        | 250E          |                   |      |                        |             |                     |                                       |
| A155C3D0R0-300E  | 225-007-981        | 300E          |                   |      |                        |             |                     |                                       |

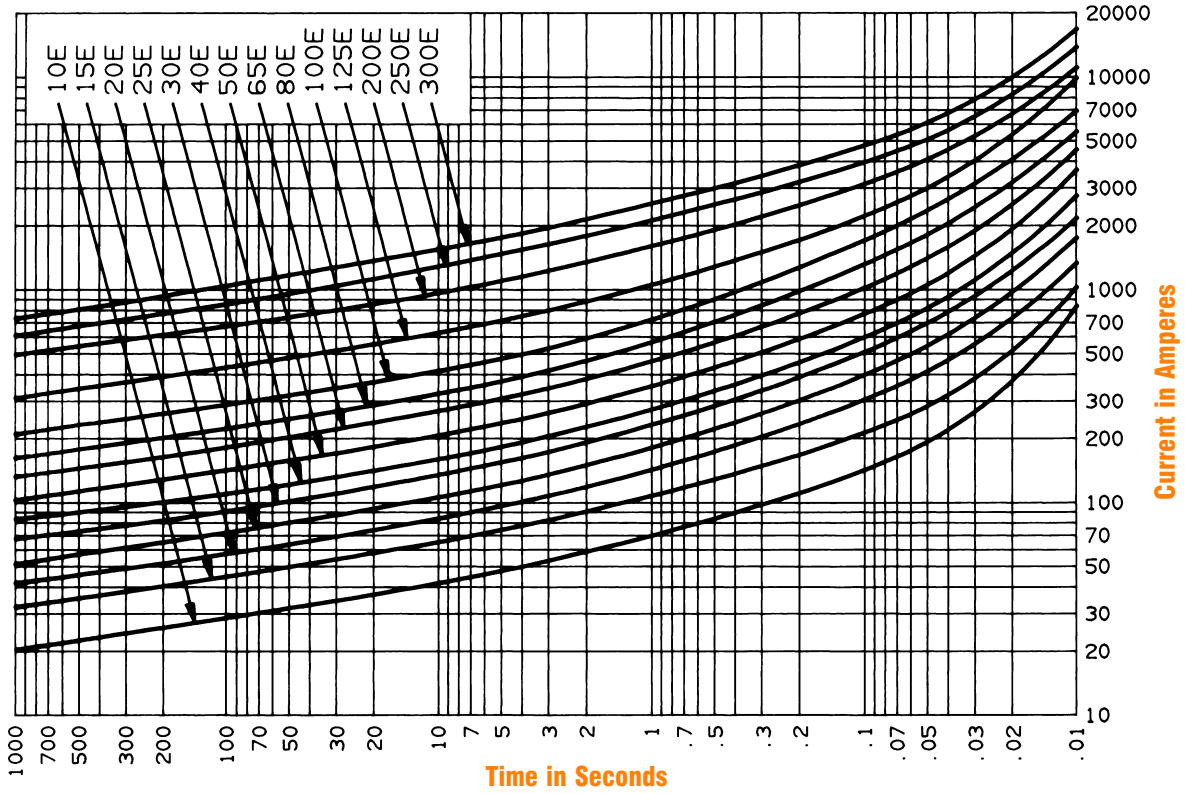
\* RMS ASYM. AMPERES = RMS SYM. AMPERES x 1.6

# CL-14

## E-RATED / MEDIUM VOLTAGE FUSES / A155C

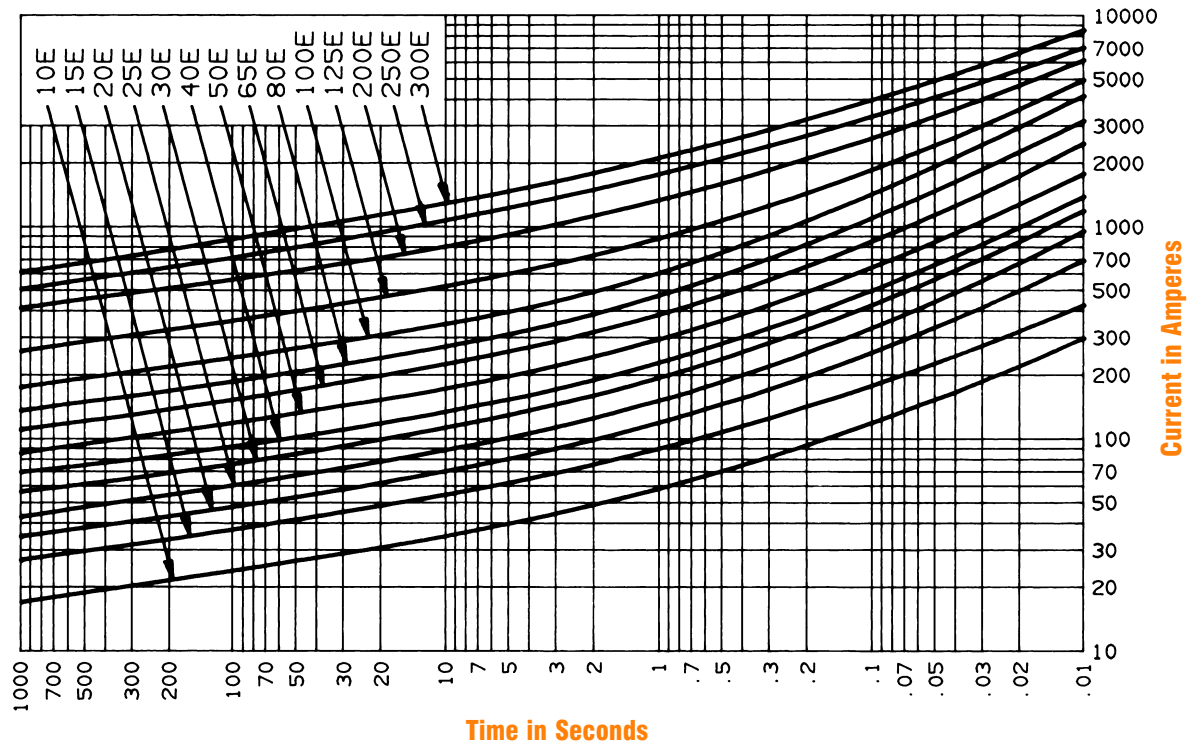
A155C1DORO — 10E to 100E / A155C2DORO — 125E / A155C3DORO — 150E to 300E

Total Clearing Time — Current Data, 15.5kV Fuses



A155C1DORO — 10E to 100E / A155C2DORO — 125E / A155C3DORO — 150E to 300E

Minimum Melting Time — Current Data, 15.5kV Fuses



# CL-14

## E-RATED / MEDIUM VOLTAGE FUSES / A155C

A155C1DORO — 10E to 100E

A155C2DORO — 125E

A155C3DORO — 150E to 300E

**Peak Let-Thru Current Data, 15.5kV CL-14 Fuses**

