

750V DC

SQUARE-BODY FUSES/SPECIAL PURPOSE

SIZE: 120



Ratings

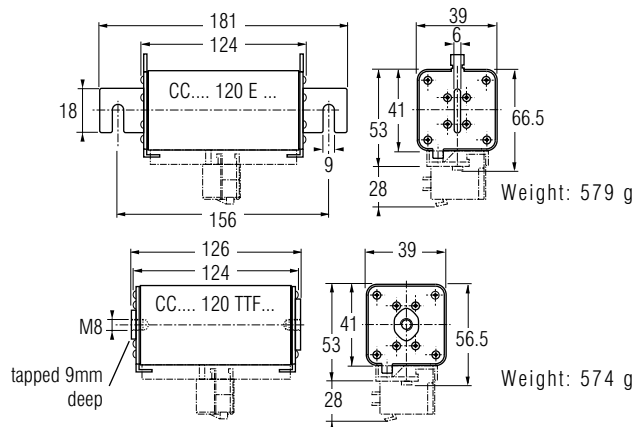
- 50 to 160 Amps
- 750vdc at 100kA
L/R=100mSec
- 900vdc at 100kA
L/R=40mSec

Features/Benefits

- **Blown Fuse** indicator
- **Square** ceramic body
- **Full range** D.C. operation
- Bladed and tapped versions standard



➤ Dimensions



APPLICATIONS DATA

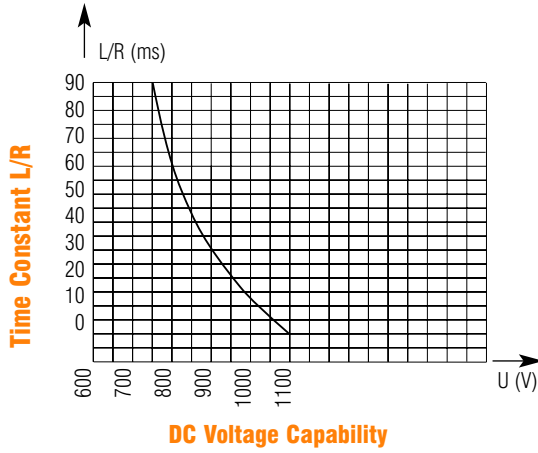
SIZE	CURRENT RATING I_N (A)	INTERRUPTING RATING	MAXIMUM I^2t @900V=L/R 40ms		WATTS LOSS		CATALOG NUMBER (1)	REF. NUMBER
			$I_p=10I_N$	$I_p=50I_N$	0.8 I_N	I_N		
120	50	@ 750V= 100kA L/R = 100ms	42500	8500	4.4	8.1	CC7,5gRC120EF0050	Y084776
	63		75500	15000	5.7	10.4	CC7,5gRC120EF0063	R085207
	80		125000	24500	7.3	13.4	CC7,5gRC120EF0080	Q085206
	100		200000	40000	9.1	16.7	CC7,5gRC120EF0100	P085205
	125		315000	62500	11.5	21	CC7,5gRC120EF0125	R086242
	160		485000	100000	15	27	CC7,5gRC120EF0160	N085204
	50	@ 900 V= 100kA L/R = 40ms	42500	8500	4.4	8.1	CC7,5gRC120TTF0050	B220824
	63		75500	15000	5.7	10.4	CC7,5gRC120TTF0063	Q082400
	80		125000	24500	7.3	13.4	CC7,5gRC120TTF0080	Z090435
	100		200000	40000	9.1	16.7	CC7,5gRC120TTF0100	R082401
	125		315000	62500	11.5	21	CC7,5gRC120TTF0125	P085251
	160		485000	100000	15	27	CC7,5gRC120TTF0160	R085253

Microswitch: MC 3E 1-5N Ref. Number: D310020

750V DC

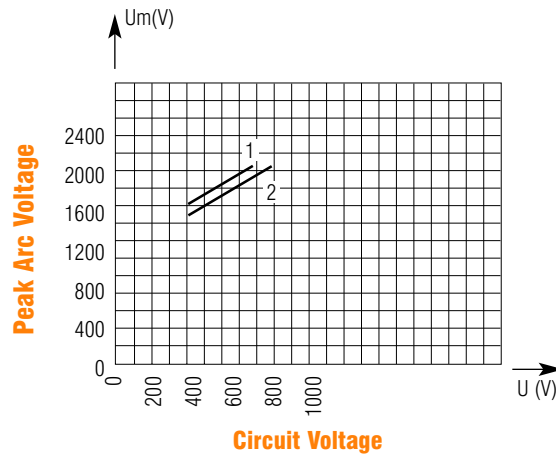
SQUARE-BODY FUSES/SPECIAL PURPOSE

DC Voltage Capabilities vs. Time Constant



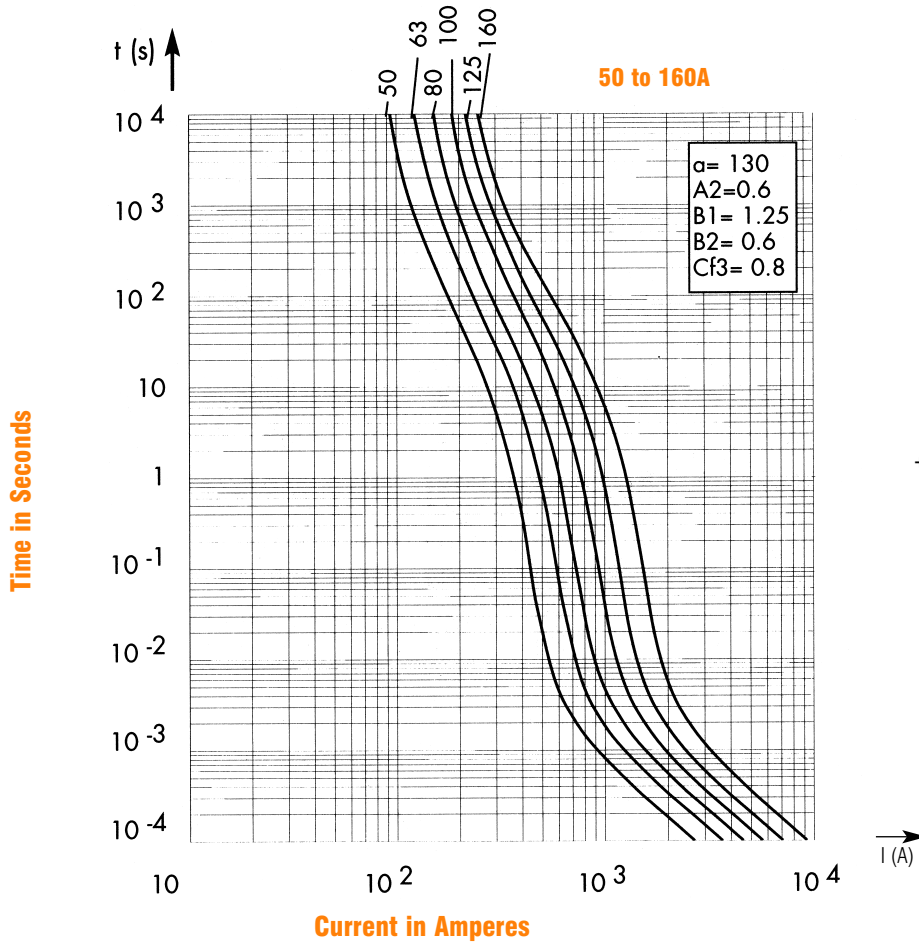
Above: Curve indicates maximum permissible value of time constant L/R as a function of DC working voltage.

Peak Arc Voltage vs. Working Voltage



1-L/R = 45ms
2-L/R = 15ms

Melting Time-Current Data



± 7% tolerance for mean pre-arcing (melting) current

Above: Curves indicate, for each rated current, pre-arcing (melting) time vs. R.M.S. pre-arcing (melting) current.

750V DC

SQUARE-BODY FUSES/SPECIAL PURPOSE

SIZE: 121



Ratings

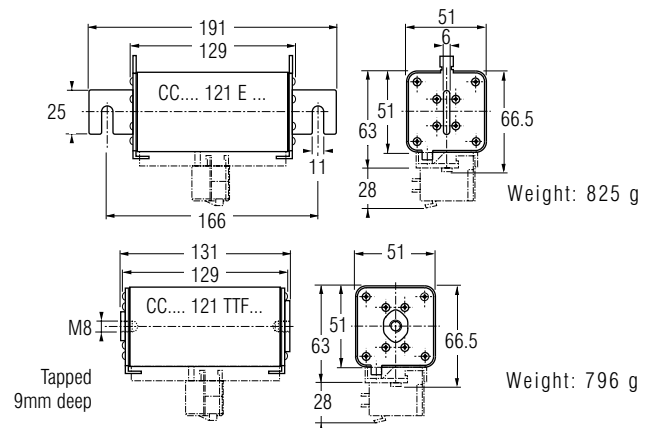
- 200 to 250 Amps
- 750vdc at 100kA
L/R=100mSec
- 900vdc at 100kA
L/R=40mSec

Features/Benefits

- **Blown Fuse** indicator
- **Square** ceramic body
- **Full range** D.C. operation
- Bladed and tapped versions standard



➤ Dimensions



APPLICATIONS DATA

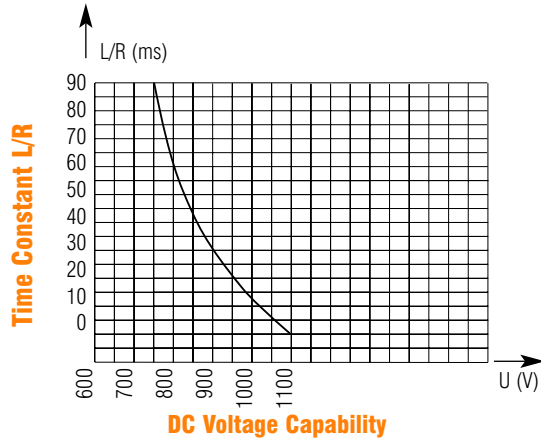
SIZE	CURRENT RATING I_N (A)	INTERRUPTING RATING	MAXIMUM I^2t @900V=L/R 40ms		WATTS LOSS		CATALOG NUMBER (1)	REF. NUMBER
			$I_p=10I_N$	$I_p=50I_N$	0.8 I_N	I_N		
121	200	@ 750V DC 100kA L/R = 100ms	755000	150000	20.5	37.5	CC7,5gRC121EF0200 CC7,5gRC121EF0250	A086710 M085203
	250		1250000	250000	25.5	46.7		
	200	@900V DC 100kA L/R = 40ms	755000	150000	20.5	37.5	CC7,5gRC121TTF0200 CC7,5gRC121TTF0250	N085250 Q085252
	250		1250000	250000	25.5	46.7		

Microswitch: MC 3E 1-5N Ref. Number: D310020

750V DC

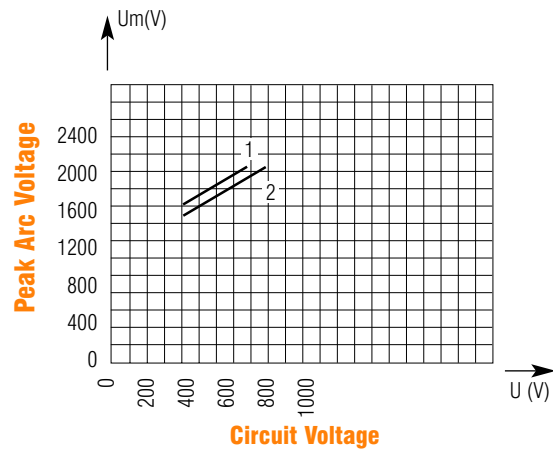
SQUARE-BODY FUSES/SPECIAL PURPOSE

DC Voltage Capabilities vs. Time Constant



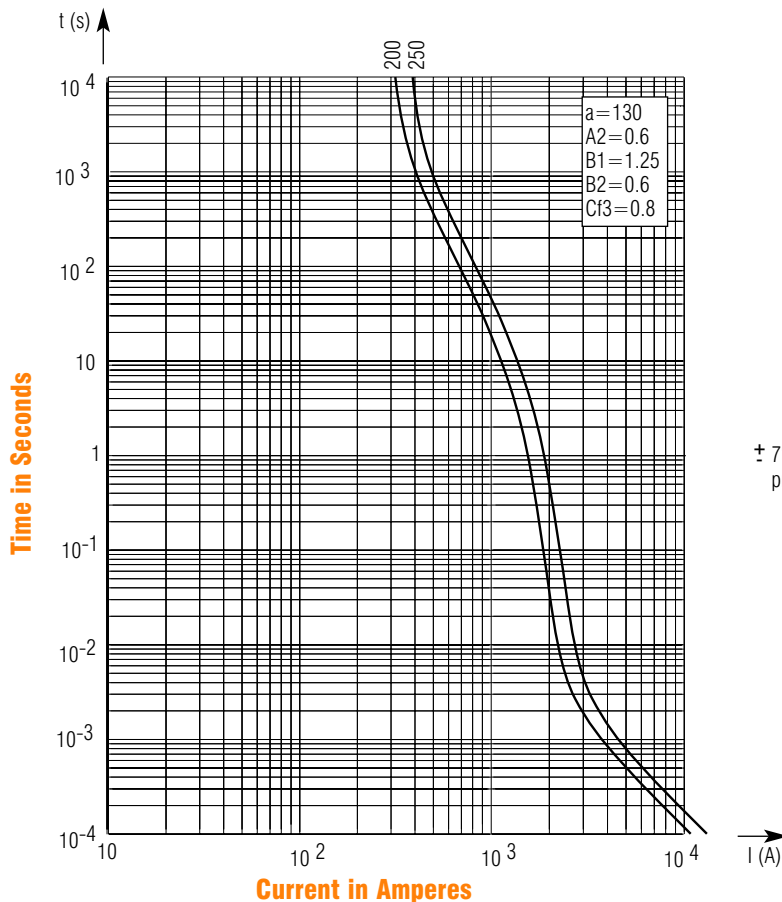
Above: Curve indicates maximum permissible value of time constant L/R as a function of DC working voltage.

Peak Arc Voltage vs. Working Voltage



1-L/R = 100ms
2-L/R = 40ms

Melting Time-Current Data



± 7% tolerance for mean pre-arcing (melting) current

Above: Curves indicate, for each rated current, pre-arcing (melting) time vs. R.M.S. pre-arcing (melting) current.

750V DC

SQUARE-BODY FUSES/SPECIAL PURPOSE

SIZE: 122



Ratings

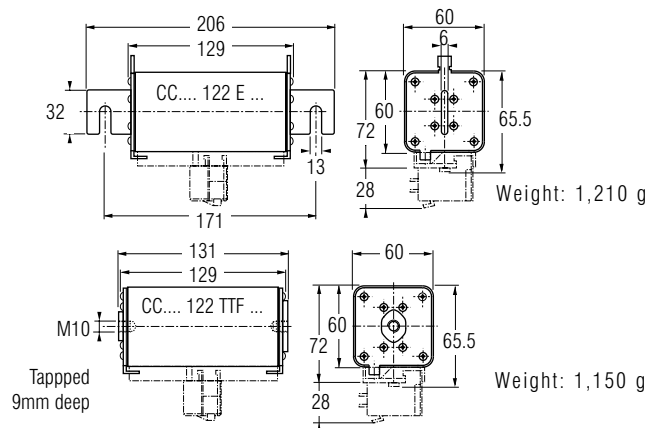
- 250 to 500 Amps
- 750vdc at 100kA
L/R=100mSec
- 900vdc 100kA
L/R=40mSec

Features/Benefits

- **Blown Fuse** indicator
- **Square** ceramic body
- **Full range** D.C. operation
- Bladed and tapped versions standard



➤ Dimensions



APPLICATIONS DATA

SIZE	CURRENT RATING I _N (A)	INTERRUPTING RATING	MAXIMUM I ² t @900V=L/R 40ms		WATTS LOSS		CATALOG NUMBER (1)	REF. NUMBER
			I _p =10I _N	I _p =50I _N	0.8 I _N	I _N		
122	250	@ 750V DC 100kA L/R = 100ms	1.25x10 ⁶	250,000	25.5	46.7	CC7,5gRC122EF0250	A087331
	315		2x10 ⁶	400,000	31.5	58	CC7,5gRC122EF0315	B087332
	350		2.5x10 ⁶	500,000	35	64.5	CC7,5gRC122EF0350	W221141
	400		3.1x10 ⁶	600,000	40.5	74.5	CC7,5gRC122EF0400	L089388
	450		4x10 ⁶	800,000	49	90	CC7,5gRC122EF0450	P220951
	500		6.2x10 ⁶ *	1.25x10 ⁶ *	52	95	CC7,5gRC122EF0500	Q220952
	250		@ 900 V DC = 100kA L/R = 40ms	1.25 x10 ⁶	250,000	25.5	46.7	CC7,5gRC122TTF0250
	315	2x10 ⁶		400,000	31.5	58	CC7,5gRC122TTF0315	M085249
	350	2.5x10 ⁶		500,000	35	64.5	CC7,5gRC122TTF0350	G220898
	400	3.1x10 ⁶		600,000	40.5	74.5	CC7,5gRC122TTF0400	C090438
	450	4x10 ⁶		800,000	49	90	CC7,5gRC122TTF0450	R220953
	500	6.2x10 ⁶ *		1.25x10 ⁶ *	52	95	CC7,5gRC122TTF0500	S220954

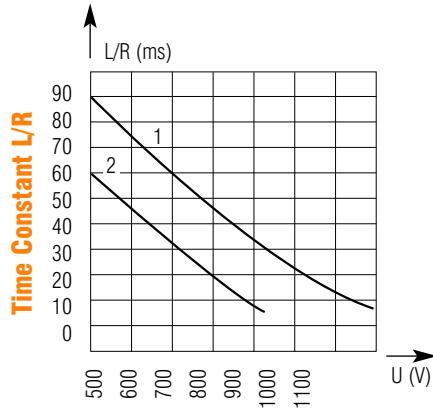
*MAX. I²t @ 800V=, L/R=40ms

Microswitch: MC 3E 1-5N Ref. Number: D310020

750V DC

SQUARE-BODY FUSES/SPECIAL PURPOSE

DC Voltage Capabilities vs. Time Constant

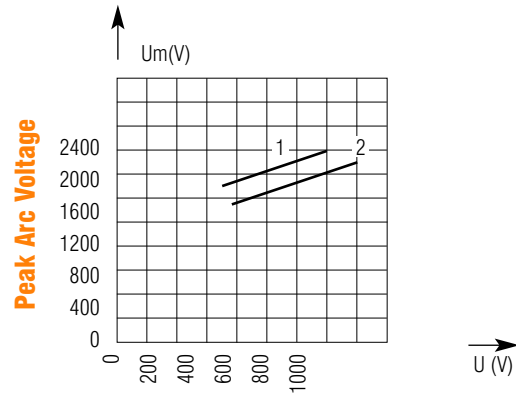


DC Voltage Capability

1-gRC-gRD (250-450A)
2-gRD 500A

Above: Curve indicates maximum permissible value of time constant L/R as a function of DC working voltage.

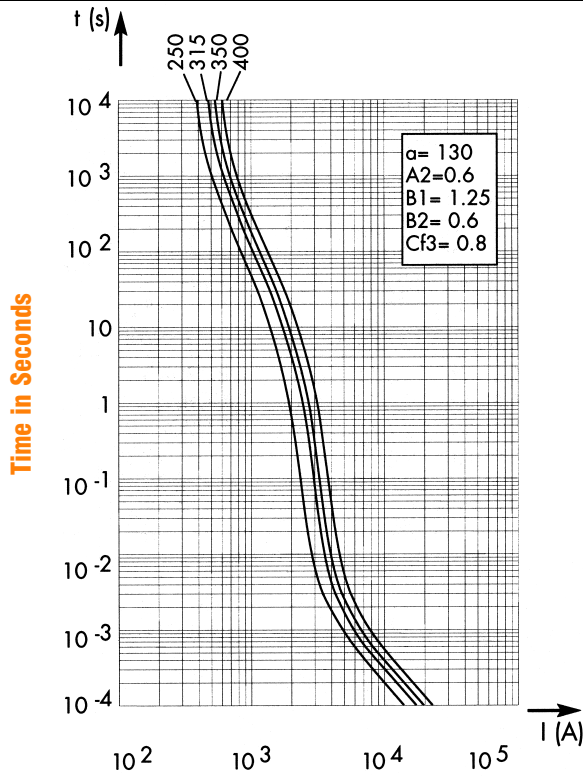
Peak Arc Voltage vs. Working Voltage



Circuit Voltage

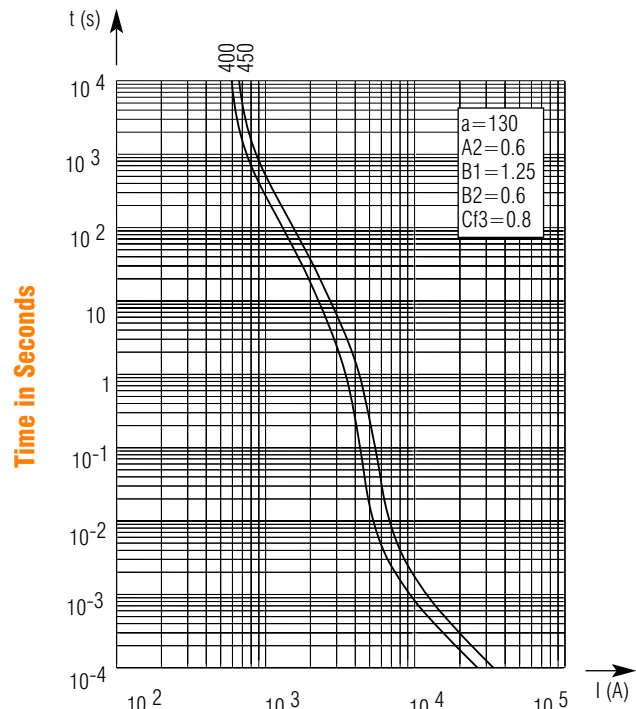
1-L/R = 100ms
2-L/R = 40ms

Melting Time-Current Data



Current in Amperes

Above: Curves indicate, for each rated current, pre-arcing (melting) time vs. R.M.S. pre-arcing (melting) current.



Current in Amperes

± 7% tolerance for mean pre-arcing (melting) current