

703, U705, U710

SEMICONDUCTOR FUSE HOLDERS



750V SEMICONDUCTOR FUSE HOLDERS

Ferraz Shawmut Semiconductor Fuse Holders feature open face styles. Each version is rated 750 volts and accommodates 14 x 51 mm or 22 x 58 mm fuses. 703, U705 and U710 holders feature Ferraz Shawmut's unique adder-block design which can be snapped onto 1-, 2-, or 3-pole blocks to form multi-pole segmented blocks of as many poles as desired. A choice of box, screw or pressure plate connectors is offered to fit a wide range of stranded or solid copper wire. All versions have verified dielectric strengths in excess of 2500V. A patented built-in DIN rail adapter on the U710 blocks adds further design versatility. All fuse clips are made of high conductivity tin-plated copper with spring reinforced clips.

HIGHLIGHTS:

- Thermoplastic bases
- DIN Rail (U710) or Screw Mount
- Adder block design

APPLICATIONS:

- All circuits up to 750 volts using semiconductor fuses for protection of small inverters, UPS systems, motor drives, etc.

Ratings

- 750V AC
- 30A (703)
- 50A (U7050)
- 100A (U7100)
- Withstand Rating: 200kA I.R.

Approvals

- UL Recognized Component Guide IZLT2, File E52283
- CSA Certified Class 6225, File 32169

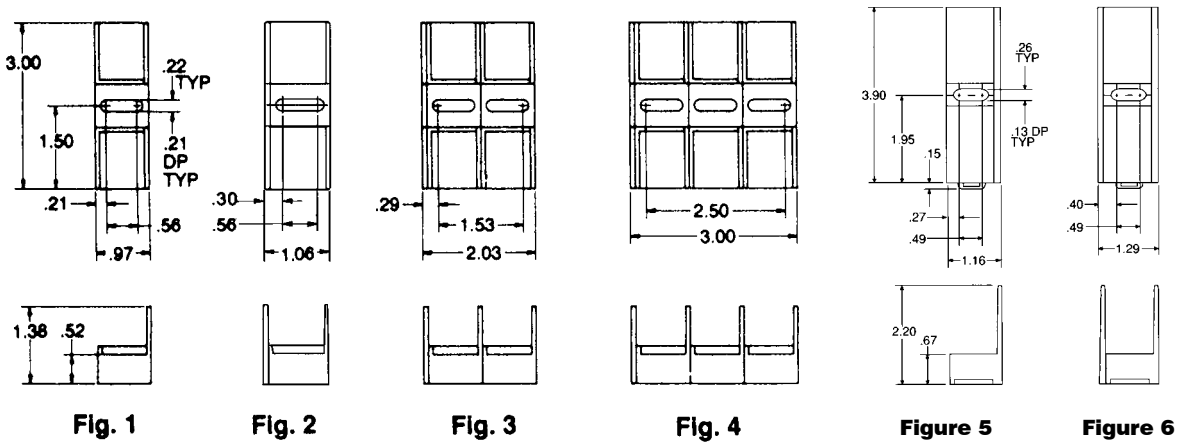


RECOMMENDED FUSE USAGE

703	use with 14x51mm	A70QS, A70P, URD, gD	up to 30A
U705	use with 14x51mm	A70QS, A70P, URD, gD	up to 50A
U710	use with 22x58mm	A70QS, URD,	up to 100A

703, U705, U710

SEMICONDUCTOR FUSE HOLDERS



Recommended mounting screws; #10 (.190" dia)

750 Volt Fuse Holders for 14 x 51mm & 22 x 58 mm Fuses

CATALOG NUMBER	FUSE SIZE	Ampacity Rating	POLES	CONNECTOR		FIGURE	CONNECTOR TORQUE (IN-LB)
				TYPE	WIRE RANGE		
U70505	14 x 51	50	Adder	Box	Al/Cu #2-14	1	35
U70506			1				
U70507			2				
U70508			3				
70315	14 x 51	30	Adder	Screw	Cu #10-14	1	20
70316			1				
70317			2				
70318			3				
70325	14 x 51	30	Adder	Pressure Plate	Cu #10-14	1	20
70326			1				
70327			2				
70328			3				
70355	14 x 51	30	Adder	Box	Cu* #4-14	1	35
70356			1				
70357			2				
70358			3				
U71005	22 x 58	100	Adder	Box	Al/Cu #2-14	5	35
U71006			1				
U71007			2				
U71008			3				

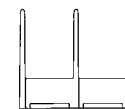
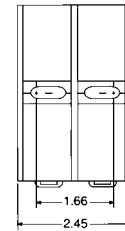


Figure 7

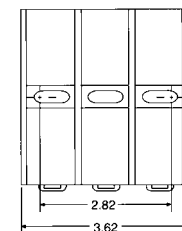


Figure 8



*Copper box connectors and clips-for copper wires only.
 Note: To convert 30A adder pole to single pole, use end barrier #U09322
 100A adder pole to single pole, use end barrier #U09372.