

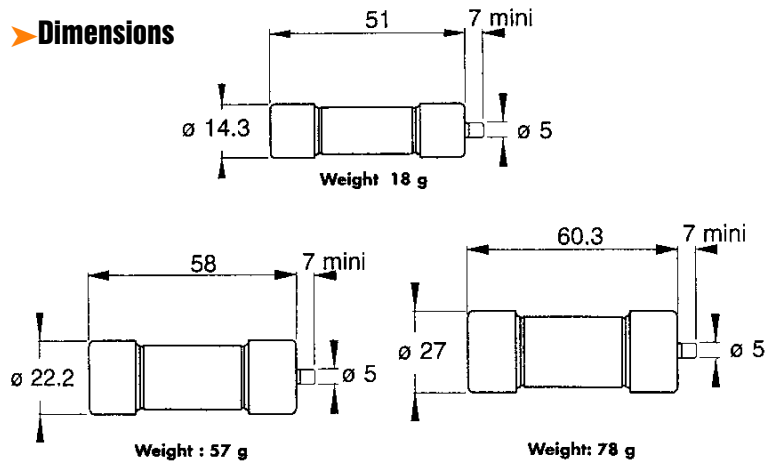
# 440VDC

## FERRULE FUSES/SPECIAL PURPOSE



**440 V DC**  
**gLB from 2 to 160 A**  
**Sizes 14x51, 22x58, 27x60**

► **Dimensions**



Trip force: 4.5N (1lb) at 0 mm-2.5N (1/2lb) at 7 mm (1/4")

### MAIN CHARACTERISTICS



SIZE mm	CURRENT RATING $I_N$ (A)	INTERRUPTING	WATTS LOSS		CATALOG NUMBER	REF. NUMBER
			0.8 $I_N$	$I_N$		
14x51	2	@ 440 V DC 100 kA L/R = 30 ms	0.29	0.5	CC4.421CPgLB14x51/2	E075720
	6		0.74	1.3	CC4.421CPgLB14x51/6	Q094084
	8		1.1	1.8	CC4.421CPgLB14x51/8	F075721
	10		1.1	1.9	CC4.421CPgLB14x51/10	G075722
	12		1.2	2.0	CC4.421CPgLB14x51/12	R094085
	16		1.2	2.1	CC4.421CPgLB14x51/16	H075723
	20		1.4	2.5	CC4.421CPgLB14x51/20	L221132
	25		1.6	2.8	CC4.421CPgLB14x51/25	J075724
	32		2.4	4.2	CC4.421CPgLB14x51/32	S098410
	40		2.9	5.0	CC4.421CPgLB14x51/40	T098687
22x58	50	@ 440 V DC 100 kA L/R = 30 ms	3.9	6.7	CC4.421CPgLB22x58/50	H076620
	63		4.9	8.5	CC4.421CPgLB22x58/63	L076968
	80		6.2	10.8	CC4.421CPgLB22x58/80	M221133
	100		7.5	13.2	CC4.421CPgLB22x58/100	J098563
			K099507			
27x60	125	@440 C DC 100 kA L/R = 30 ms	12.6	22	CC4.421CPgLB27x60/125	H098562
	160		13.8	24.2	CC4.421CPgLB27x60/160	M075704

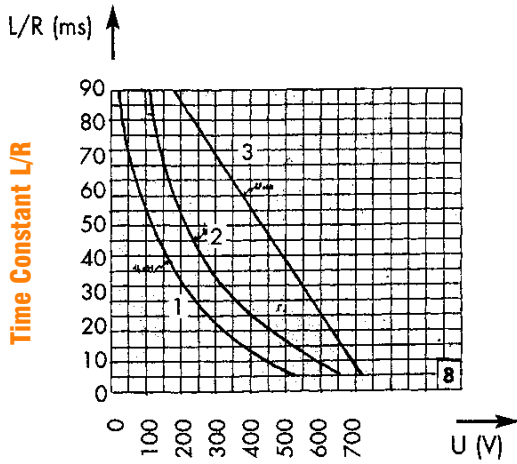
Blown fuse indicator minimum trip voltage: 20 V  
 See Fuse Blocks and Fuse Holders, and Medium Voltage fuse clips

# 440VDC

## FERRULE FUSES/SPECIAL PURPOSE

### ELECTRICAL CHARACTERISTICS

#### DC Voltage Capability vs Circuit time Constant

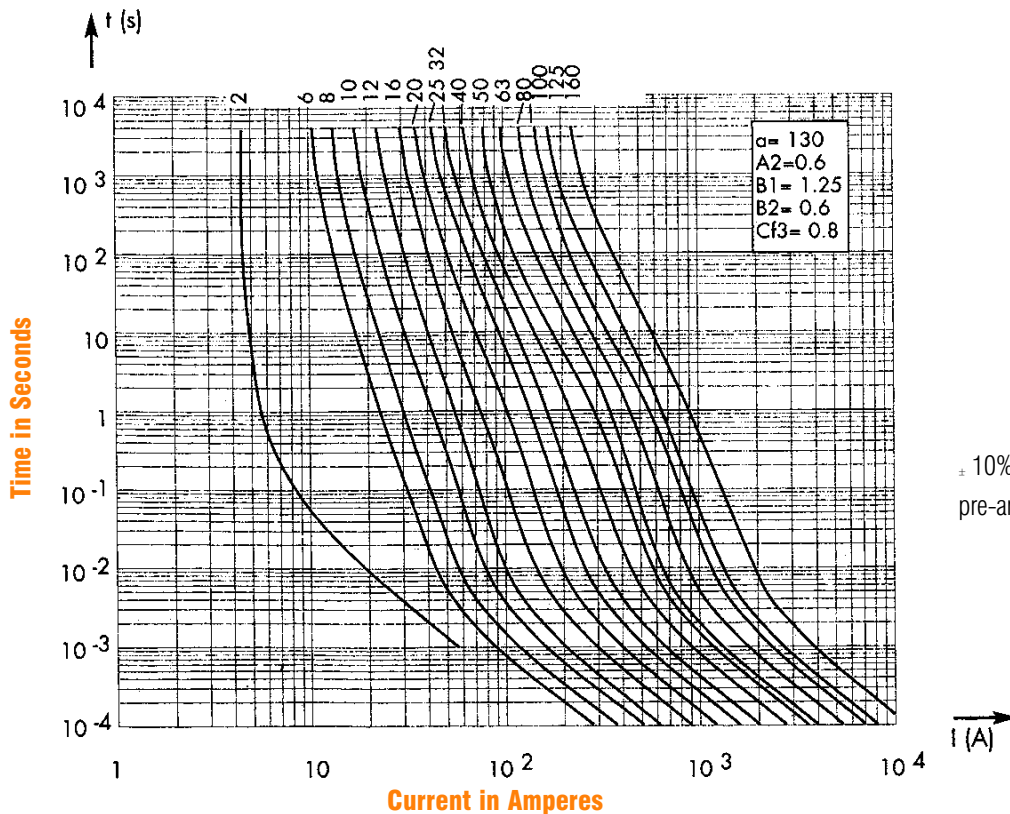


Left: Curves indicate maximum permissible value of time constant  $L/R$  as a function of DC working voltage

- 1- Size 14x51
- 2- Size 22x58
- 3- Size 27x60

DC Voltage Capability

#### Melting Time-Current Data



± 10% tolerance for mean pre-arcing (melting) current

Above Curves indicate, for each rated current, pre-arcing (melting) time vs. R.M.S pre-arcing (melting) current