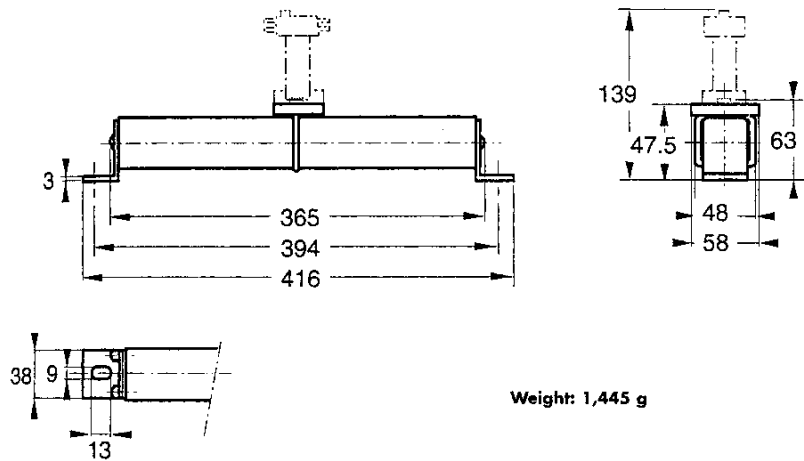


3500-4000V DC SQUARE-BODY/SPECIAL PURPOSE



3500-4000 V DC
gRB - grD from 6 to 125 A
Size 600

➤ **Dimensions**



Weight: 1,445 g



MAIN CHARACTERISTICS

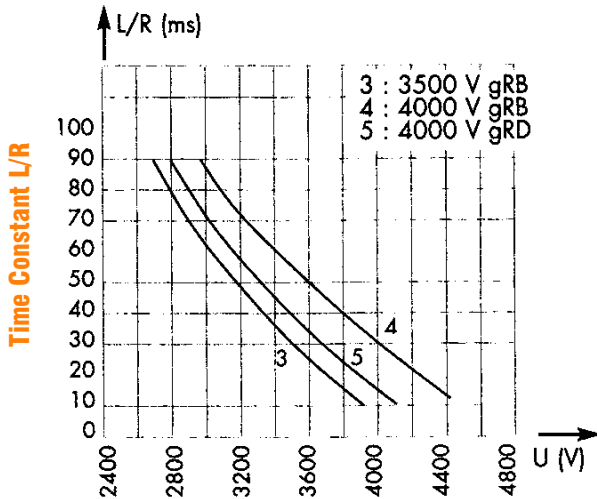
SIZE	CURRENT RATING	INTERRUPTING RATING	WATTS LOSS		CATALOG NUMBER (1)	REF. NUMBER
			$0.8I_N$	I_N		
600	6	@ 3500 V DC 30kA L/R = 30 ms	5.3	9.5	CC35gRB600QF0006	S083736
	8		7	12.7	CC35gRB600QF0008	R083735
	10		10.2	18.5	CC35gRB600QF0010	N089390
	12		11	20	CC35gRB600QF0012	V082220
	16		13.1	24	CC35gRB600QF0016	P089391
	20		14	25.4	CC35gRB600QF0020	Q089392
	25		18	32.5	CC35gRB600QF0025	R089393
	32	@ 4000 V DC 30kA L/R = 30 ms	25.5	46	CC35gRB600QF0032	A086963
	40		35	63	CC35gRB600QF0040	B086964
	50		29	52	CC35gRB600QF0050	C086965
	63		42	76.5	CC35gRB600QF0063	D086966
	80		51	92	CC35gRB600QF0080	E086967
	80	@ 4000 V DC 30kA L/R = 30 ms	3.9	67	CC40gRD600QF0080	B075763
	100		50.5	88	CC40gRD600QF0100	C075764
	125		63	110	CC40gRD600QF0125	D075765

Microswitch: 2R 3E 1-5N BS Ref. Number: J310025

3500-4000V DC SQUARE-BODY/SPECIAL PURPOSE

ELECTRICAL CHARACTERISTICS

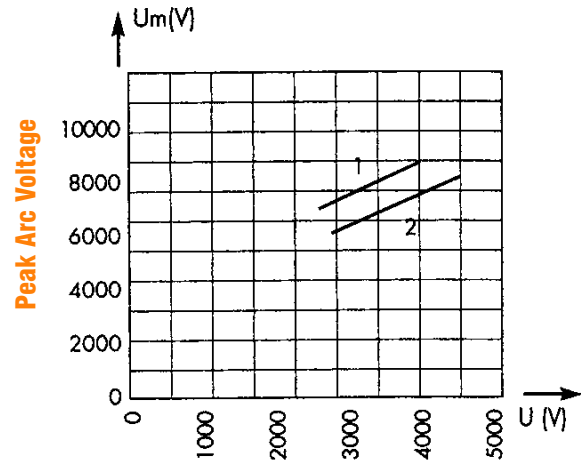
DC Voltage Capabilities vs. Time Constant



DC Voltage Capability

Above: Curves indicate maximum permissible value of time constant L/R as a function of DC working voltage

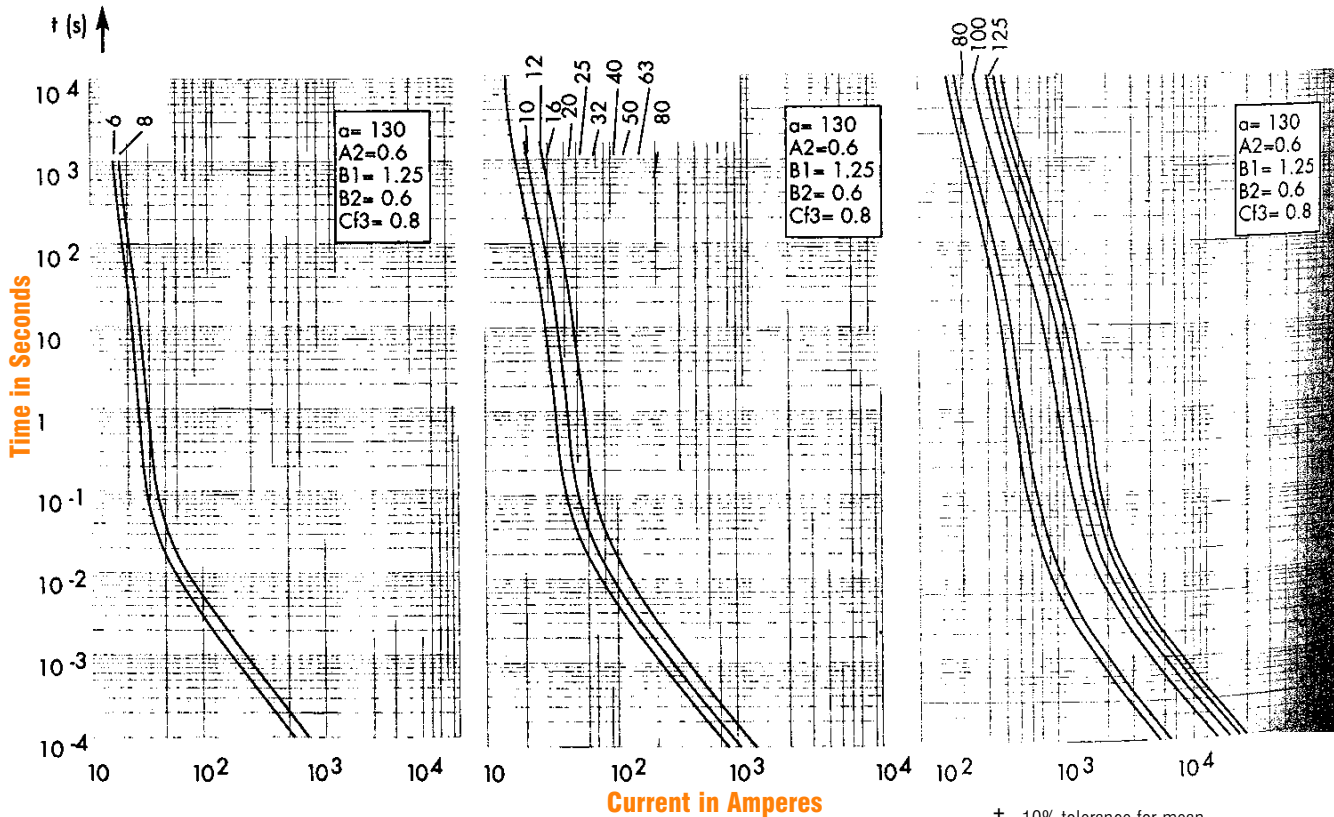
Peak Arc Voltage vs. Working Voltage



Circuit Voltage

1: $L/R = 30$ ms-3500-4000 V gRB
2: $L/R = 15$ ms 4000 V gRD

Melting Time vs. Current Data



Current in Amperes

Above: Curves indicate, for each rated current, pre-arcing (melting) time vs. R.M.S. pre-arcing (melting) current.

± 10% tolerance for mean pre-arcing (melting) current