

# 1SC/1MSC

## MODULAR SEMICONDUCTOR FUSE BLOCKS



Ferraz Shawmut 1SC and 1MSC semiconductor fuse blocks feature modular mounting that offers greater flexibility in adjusting to various fuse lengths. Both stud type and integral box connector versions are offered to allow for user preference of wire terminations. The integral box connector versions also provide for greater heat dissipation. All modular blocks are supplied in pairs but need to be ordered as two items to suit one fuse. Mounting hardware is supplied with the blocks.

### HIGHLIGHTS:

- Modular two-piece design
- Compact footprint
- Stud versions
- Heat dissipating integral box connector versions
- Accommodates a large range of semiconductor fuses
- Rugged phenolic insulators

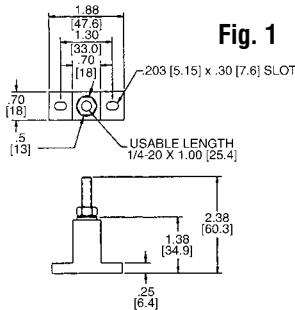


Fig. 1

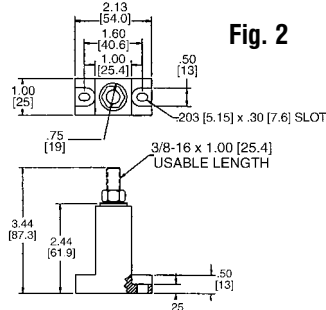


Fig. 2

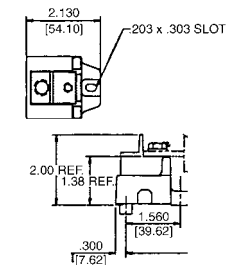


Fig. 3

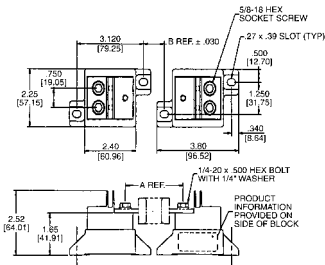


Fig. 4

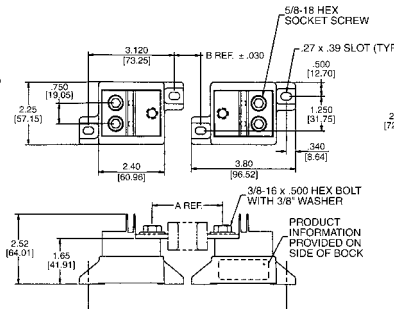


Fig. 5

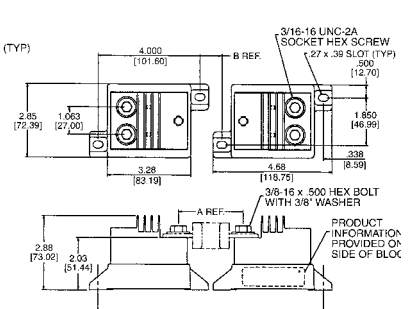


Fig. 6

### Ratings

- 600VAC (1MSC)
- 1000 VAC (1SC)
- up to 800 amperes

### Approvals

- UL Recognized Component Guide IZLT2, File E171957



### Dimensions

CATALOG NUMBR	VOLTAGE RATING	AMPERE RATING	UR	CONNECTOR		HARDWARE		TIGHTENING Torque (lb.-in.)		Fig.
				Type	Wire Range	Bolt	Washer	Fuse	Cable	
1SC250	1,000	400	Yes	1/4" Stud	-	-	-	61	61	1
1SC375	1,000	800	Yes	3/8" Stud	-	-	-	192	192	2
1MSC101	600	100	Yes	Al Box	Al/Cu 2/0 - #6	1/4"	0.655"	120	120	3
1MSC102	600	400	Yes	Al Box	Al/Cu (2) 250kcmil - #6	1/4"	0.655"	275	275	4
1MSC103	600	400	Yes	Al Box	Al/Cu (2) 250kcmil - #6	3/8"	0.900"	275	275	5
1MSC104	600	600	Yes	Al Box	Al/Cu (2) 250kcmil - #6	3/8"	0.900"	375	375	6
1MSC108	2,500	400	No	Al Box	Al/Cu (2) 250kcmil - #6	1/4"	0.655"	275	275	*
1MSC109	2,500	400	No	Al Box	Al/Cu (2) 250kcmil - #6	3/8"	0.900"	275	275	*
1MSC110	5,000	400	No	Al Box	Al/Cu (2) 250kcmil - #6	3/8"	0.900"	275	275	*

\*Consult Factory